

# SEDAR

— Since 1892 —

## **RB 16-45 Roller Blind CS Louvo Cassette Manual System<sup>®</sup>**

### **Technical Document**

---



# About this Document

---

This document is a detailed technical resource for **the RB 16-45 Roller CS Louvo Cassette Manual Rail System®**, offering in-depth specifications to aid engineers, installers, and architects in understanding the product's technical intricacies.

To access additional system documents, please click on the links provided below or scan the accompanying QR code for immediate redirection to the relevant document.



[16-45 Documents](#)



[Roller Blinds Fabric Specifications](#)

For inquiries about **the RB 16-45 Roller CS Louvo Cassette Manual Rail System®** or to utilize our Projects Department's bespoke services, please contact us using the QR code below for guidance in transforming your spaces with innovation and style. Our team is ready to assist with product details, installation, and custom solutions, ensuring your design needs are expertly met.



Email: [projects@sedarglobal.com](mailto:projects@sedarglobal.com)

Projects Hotline: [+971502313453](tel:+971502313453)

# Table Of Contents

---

<b>About this Document</b>	<b>02</b>
<b>System Description</b>	<b>04</b>
<b>System Limitations</b>	<b>04</b>
<b>System Drawing</b>	<b>05</b>
<b>System Profile Drawings</b>	<b>06</b>
<b>Measurement Diagram</b>	<b>07</b>
<b>Measurement Instructions</b>	<b>08</b>
<b>Fitting Techniques</b>	<b>11</b>
<b>Installation Instructions</b>	<b>12</b>
<b>Operation/Control</b>	<b>18</b>
<b>Side Channel Options</b>	<b>19</b>
<b>Valance</b>	<b>20</b>
Louvo Cassette	20
<b>Double Bracket</b>	<b>21</b>
<b>Motorization</b>	<b>22</b>
<b>General Safety Instructions</b>	<b>23</b>
<b>Other Relevant Documents</b>	<b>24</b>
<b>Projects and Professionals Contact Information</b>	<b>24</b>

# System Description

---

The **Sedar RB 16-45 Roller CS Louvo Cassette Manual Rail System®** is a versatile solution for residential, commercial, and large venues. The system incorporates a 40 mm pipe with a louvo cassette that shields the mechanism from dust and damage, reducing maintenance, and extending system life.

This system features a unique design incorporating alternating strips of sheer and opaque fabric, tailored to enhance both the look and functionality of the interiors. It is easy to install and compatible with substrates such as concrete, wood, reinforced gypsum, and metal.

This product comes with the following warranties:

Products	Warranties
CS Fabric	1 year
System	1 year

# System Limitations

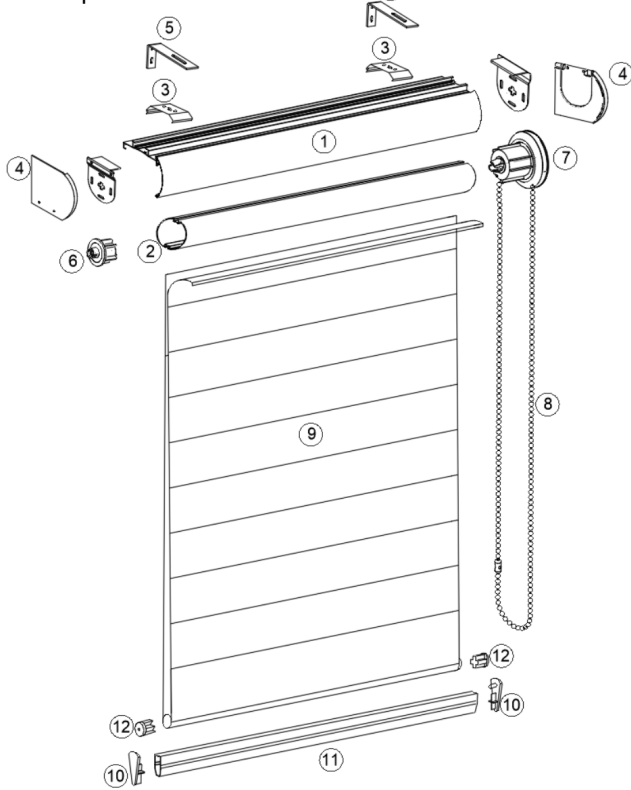
---

Description	Value
Tube	40 mm
Minimum Width	20 cm
Maximum Width	220 cm
Minimum Height	20 cm
Maximum Height	300 cm

# System Drawing

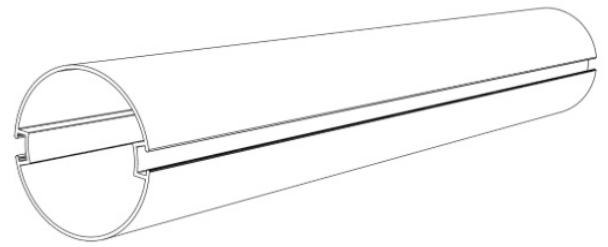
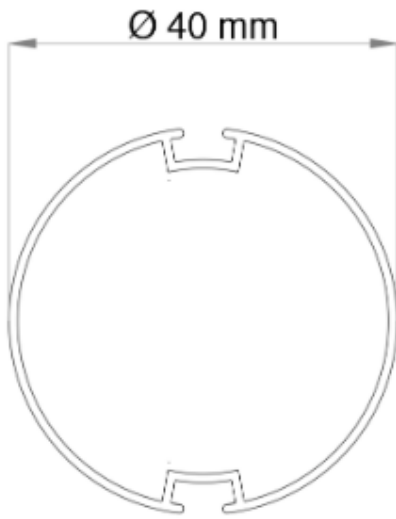
**System:** 16-45 Roller Blind CS Louvo Cassette Manual Rail System

**Operation:** Manual Operation with Chain ⑤



Part No.	Description
1	16-45 Louvo Cassette
2	Roller Blinds 40mm Tube - Aluminum
3	Ceiling brackets
4	Cassette cover system plastic one set (2 pcs)
5	L clip brackets
6	RB 16-45 End Plug
7	16-45 Louvo Clutch
8	Metal Ball Chain 4.5 mm
9	CS Fabrics
10	Bottom Rail End Cap
11	Powder Coated Bottom Rail
12	Round Bottom End cap

# Profile Drawings



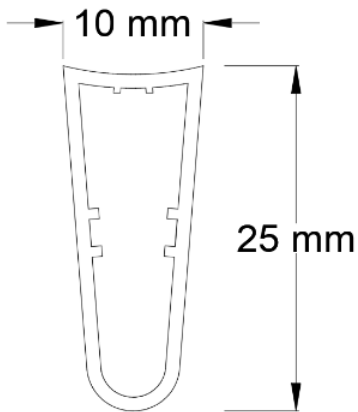
**Tube size (40 mm)**

**Material:** Aluminum

**Aluminum Grade:** 6063 - T6

**Thickness:** 1.5 mm



**Perspective**

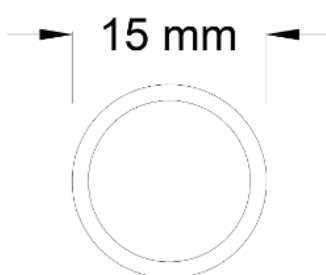


**Bottom Rail 1**

**Material:** Aluminum

**Aluminum Grade:** 6063 - T6

Color	
Cream 	White 



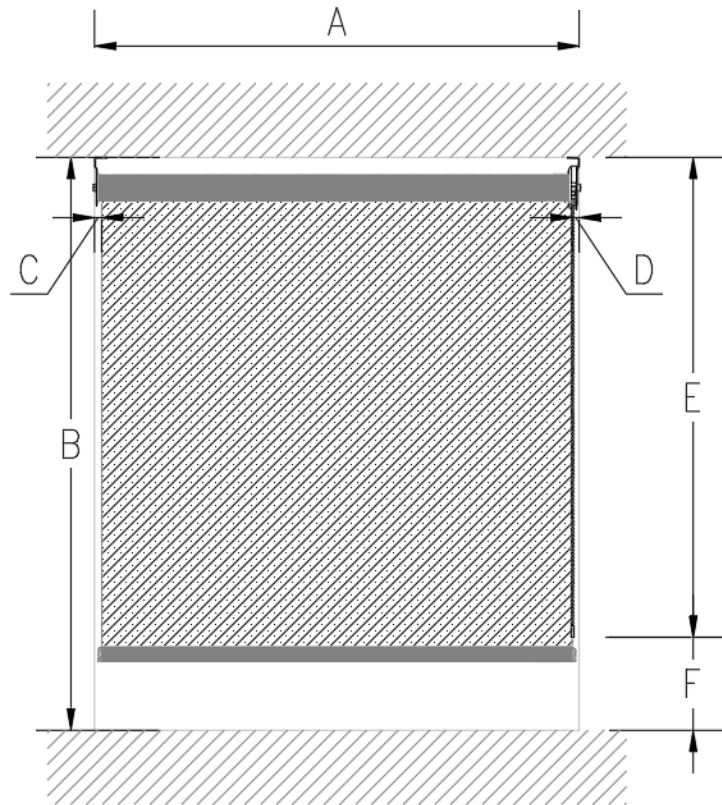
**Bottom Rail 1 (Round)**

**Material:** Aluminum

**Aluminum Grade:** 6063 - T6

# Measurement Diagram

---



**A-** System width. If the roller is mounted inside the window frame, reduce the width by 1 cm. For outdoor mounting, we recommend adding 10 cm on each side.

**B-** System height

**C-** Light gap on left side 15 mm

**D-** Light gap on right side 15 mm

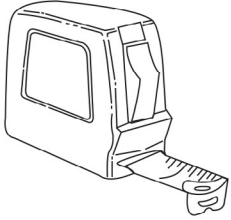
**E-** Chain length

**F-** Floor to chain height

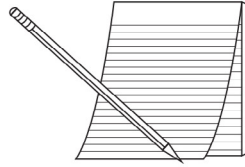
# Measurement Instructions

---

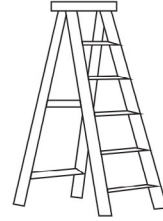
## Tools Needed



1. Measuring tape (metal)



2. Pencil and notepad

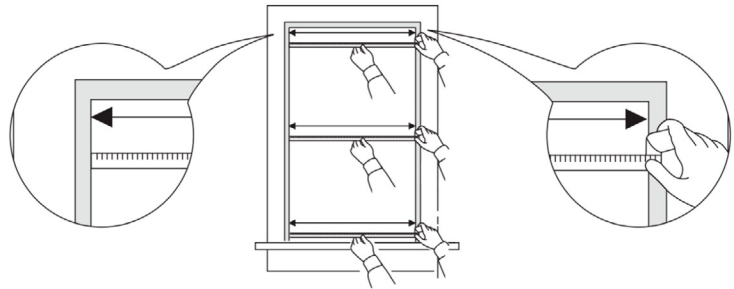


3. Step ladder

## Inside Mount Roller Blinds Measurement Instructions

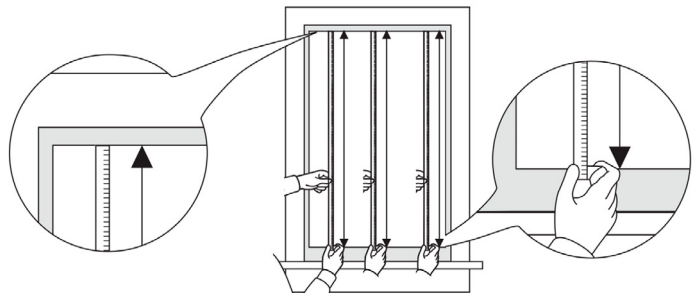
### Step 1:

Measure the top, middle, and bottom then record the narrowest.



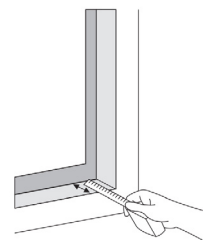
### Step 2:

Measure the left center and right center then record the longest height.



### Step 3:

Measure and record the depth of the window.

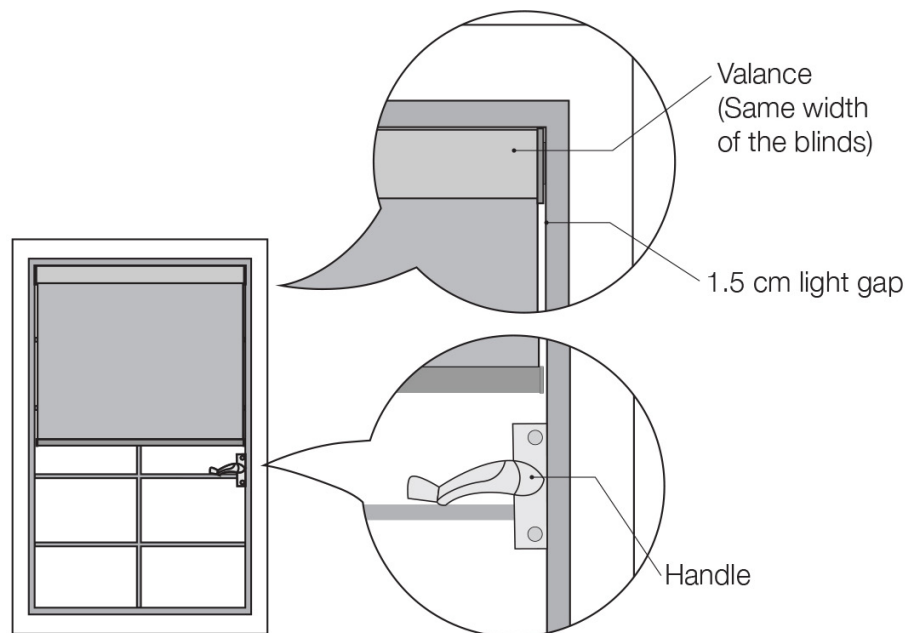




# Things to consider

## Considerations for Valance:

- Valance measurement should equal the window width.
- Expect gaps (1.5 cm) on the sides.
- Pay attention to door knobs and handles. If they are present, think about opting for an outside mount.
- Note that with the cassette, the blind cannot roll outwards, only inside rolling is possible.
- Minimum depth required for valance is 10 cm.



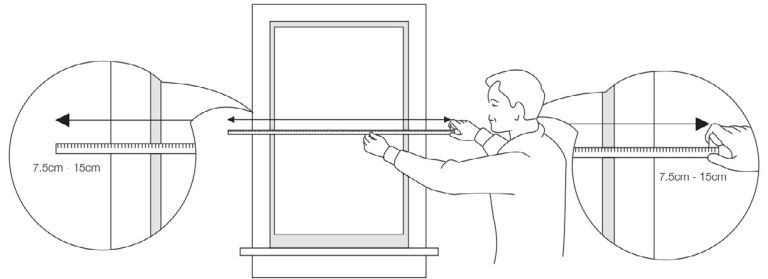
# Outside Mount Roller Blinds Measurement Instructions

## Step 1:

Measure the middle width of the window.

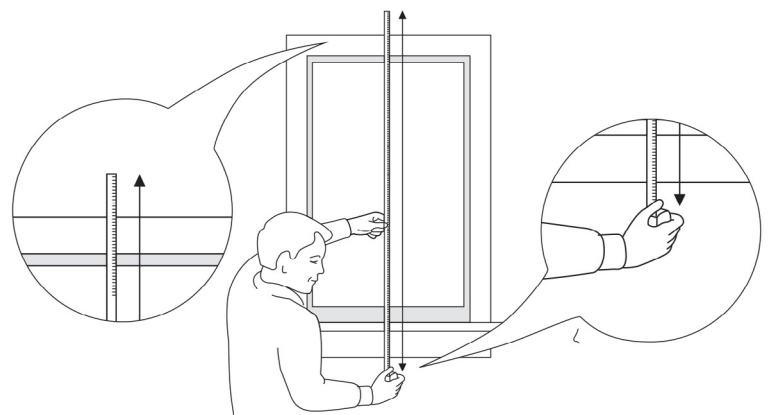
## Step 2:

Add 7.5 cm - 15 cm to each side to minimize light penetration.



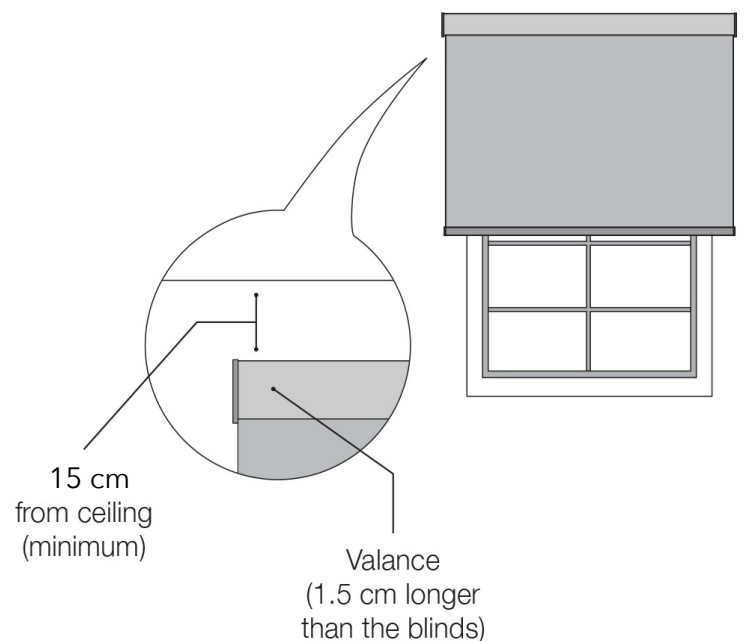
## Step 3:

Measure the height from the middle of the window. The height will depend on your measurement.

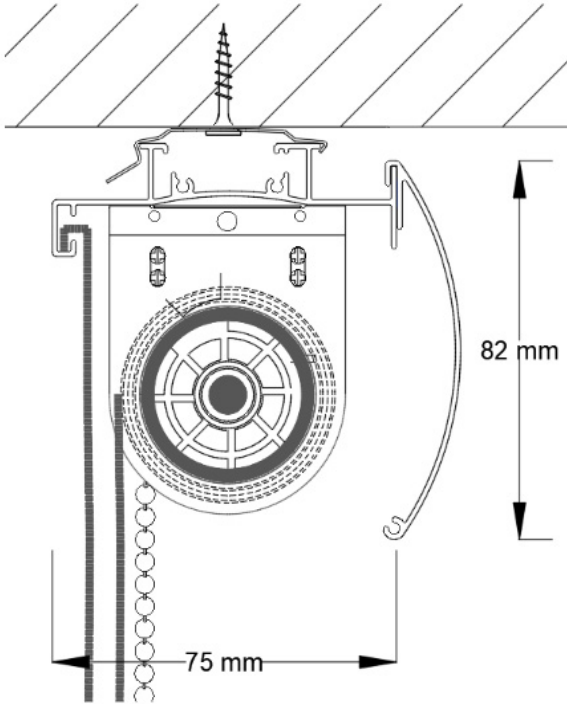


## Considerations for Valance:

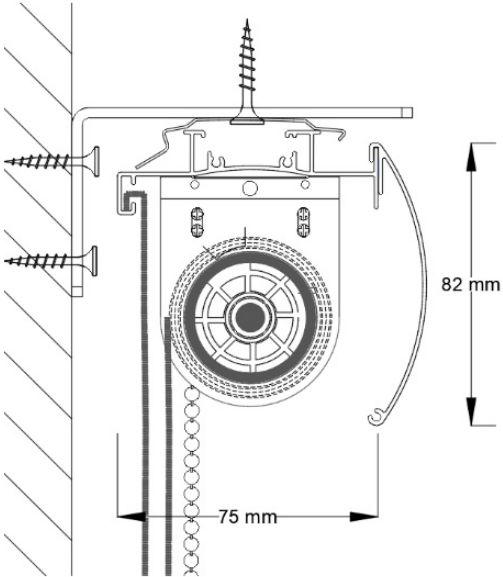
- Cornice and valance measurements will be automatically manufactured 1.5 cm wider than the blinds.
- Maintain a minimum of 15 cm above the window for installation.



# Fitting Techniques



**Ceiling Mount**

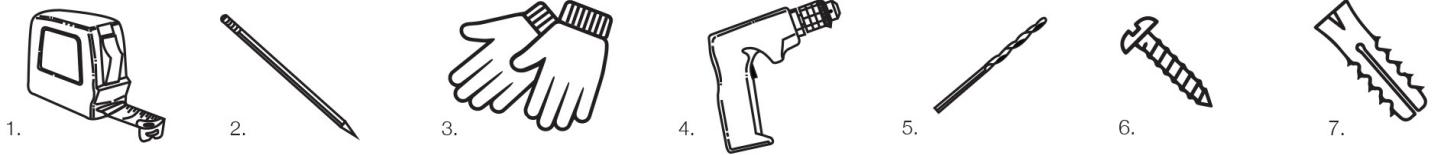


**Wall Mount**

# Installation Instructions

---

## Tools needed



1. Measuring tape (metal)

2. Pencil (for marking)

3. Work gloves

4. Drill Machine

5. Drill Bit

6. Screws

7. Wall Plug (Wall Anchor)

The requirement for each type of installation to provide strength and corrosion resistance in various types of installation surface applications:

1. Aluminum - Stainless steel self-drilling screws.

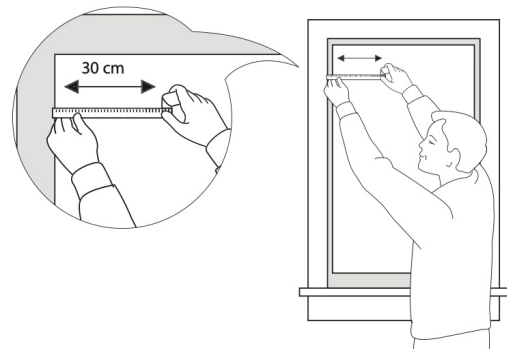
2. Concrete - 6 mm screws and plugs are required for installation.

3. Gypsum - Special butterfly screws and plugs are required for installation.

## Installation Steps (Inside Mount):

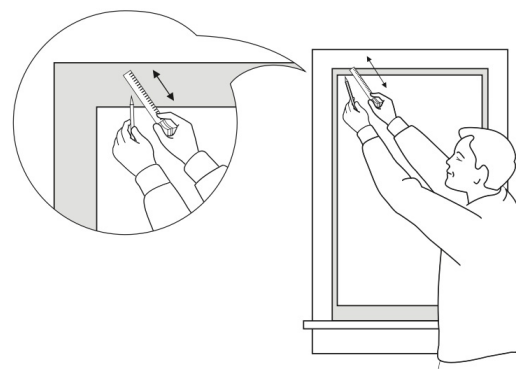
### Step 1:

Measure the wall or ceiling for the first bracket position 30 cm from the edge.



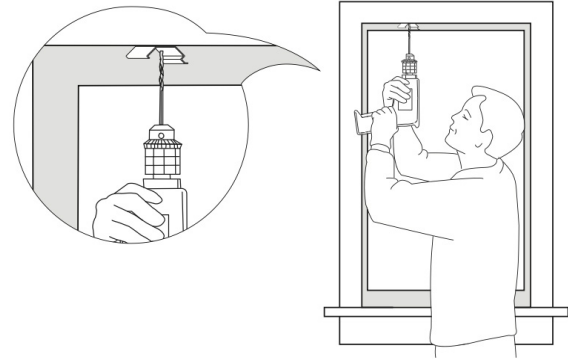
### Step 2:

Mark the position of the first bracket 5cm depth.



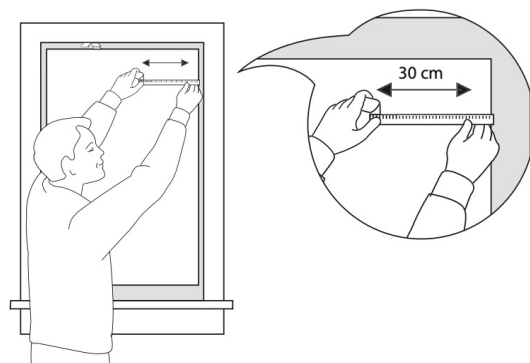
**Step 3:**

Fix the first bracket using a drill or screwdriver.



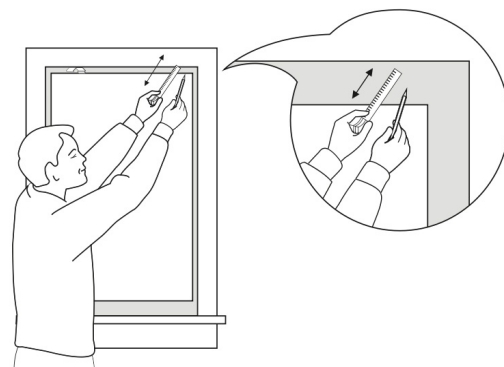
**Step 4:**

Measure the wall for the second bracket. Make sure the position is exactly aligned to the first bracket.



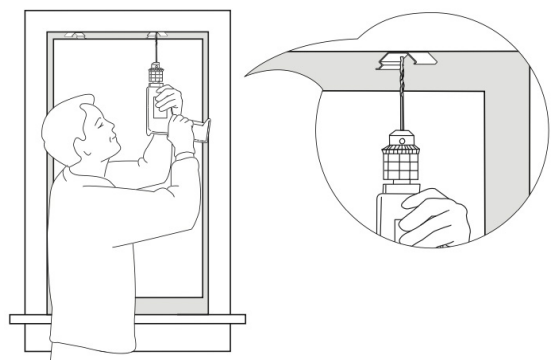
**Step 5:**

Mark the second bracket.



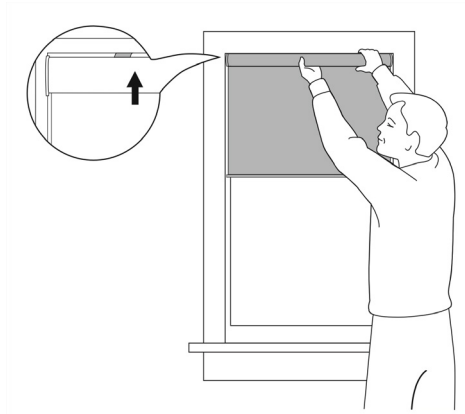
**Step 6:**

Fix the second bracket using a drill or screwdriver.



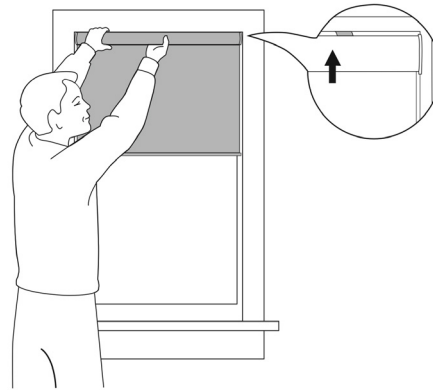
**Step 7:**

Fix the roller shades on one side.



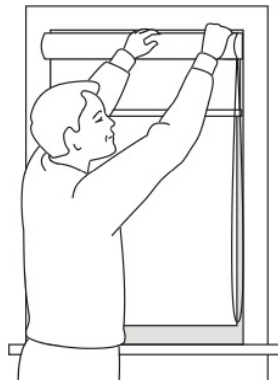
**Step 8:**

Fix the roller shade on the other side.



**Step 9:**

Test if the roller shades is installed properly. Do not exert too much pressure.



**Step 10:**

Check if it's working correctly.



# Installation Steps (Outside Mount):

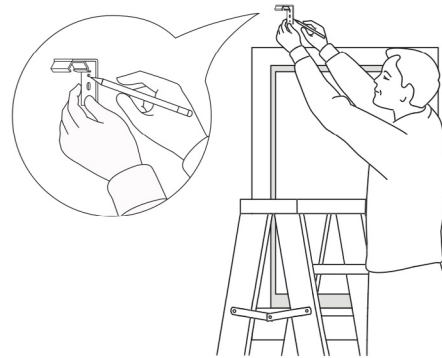
## Step 1:

Measure the wall or ceiling for the first bracket position 30 cm from the edge.



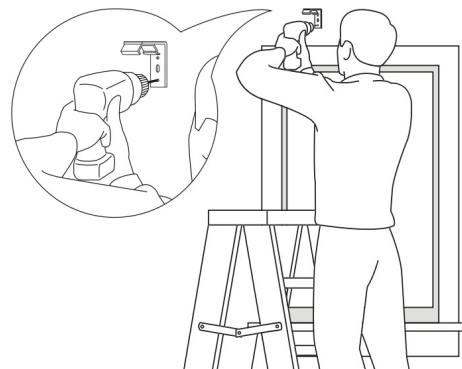
## Step 2:

Mark the position of the first bracket.



## Step 3:

Fix the first bracket using a drill or screwdriver.



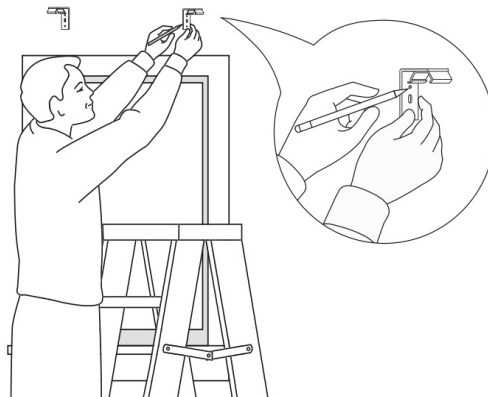
## Step 4:

Measure the wall for the second bracket. Make sure the position is exactly aligned to the first bracket.



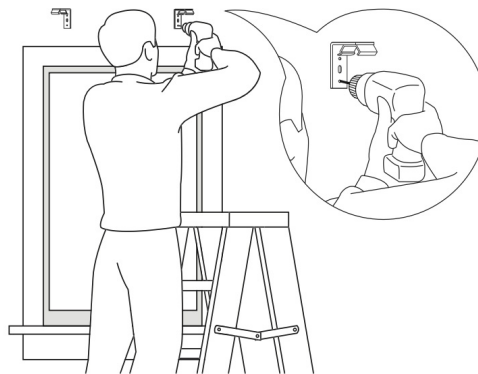
**Step 5:**

Mark the second bracket.



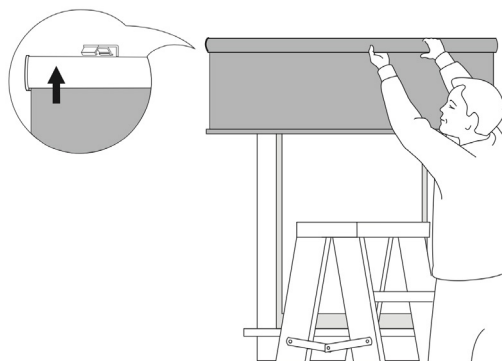
**Step 6:**

Fix the second bracket using a drill or screwdriver.



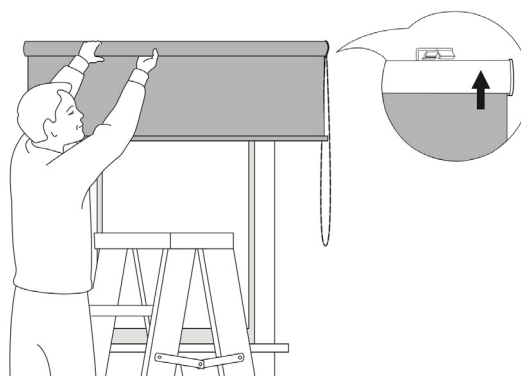
**Step 7:**

Fix the roller shade on one side.



**Step 8:**

Fix the roller shade on other side.





### Step 9:

Test if the roller shades is installed properly. Do not exert too much pressure.



### Step 10:

Check if the roller shades is working correctly.



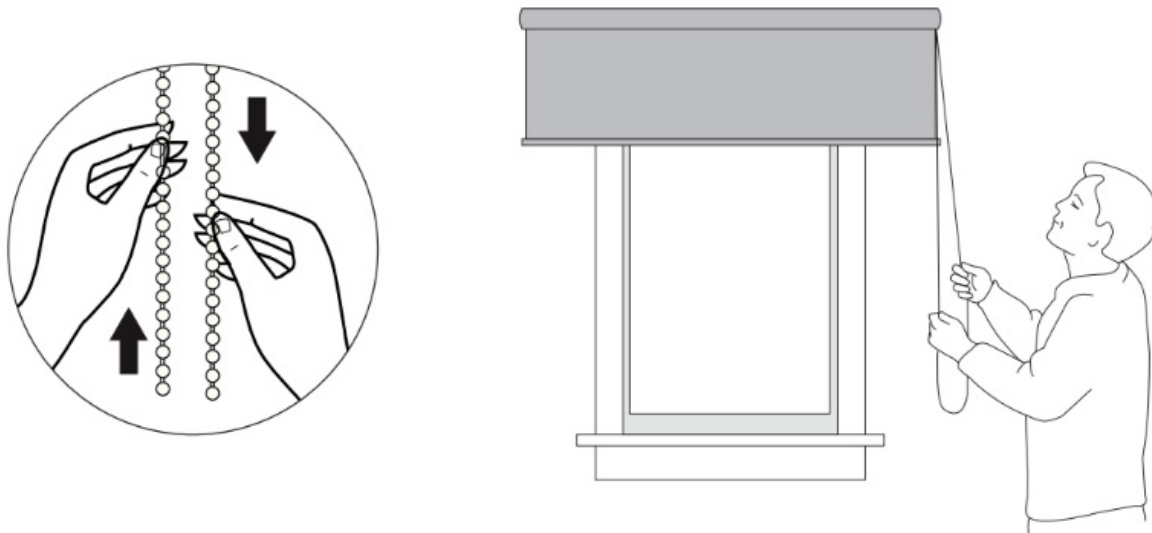
## Tips

- For chain-operated shades, please be attentive to children.
- Alignment of brackets should be exact to avoid damaging the product.

# Operation/Control

---

Raising or Lowering: Pull one side of the cord down to the desired position. As you stop pulling, the blinds will also stop.



# Product Maintenance and Cleaning

---

- Regularly dust with a feather duster or soft cloth.
- For thorough dust removal, use a hand-held vacuum with low suction.
- CAUTION: Avoid harsh detergents.

# Side Channel Option

---

The **RB 16-45 Roller CS Louvo Cassette Manual Rail System**® doesn't have the side channel feature. Use the QR code or the link below to see our product options that offer the side channel feature.



[RB 16-13 Roller Jumbo Cassette Manual System](#)



[RB 16-15 Roller Louvo Cassette Manual System](#)



[RB 16-76 Roller Louvo Elite Cassette Manual System](#)


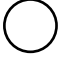
# Valance

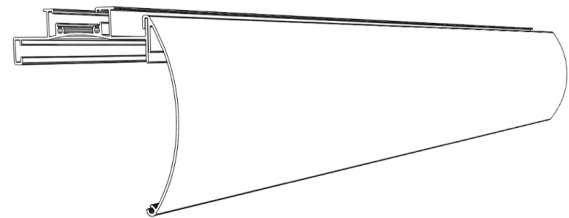
A valance improves roller blinds by concealing the top pipe and hardware. It shields the mechanism from dust and damage, reducing maintenance and extending system life.

## Louvo Cassette

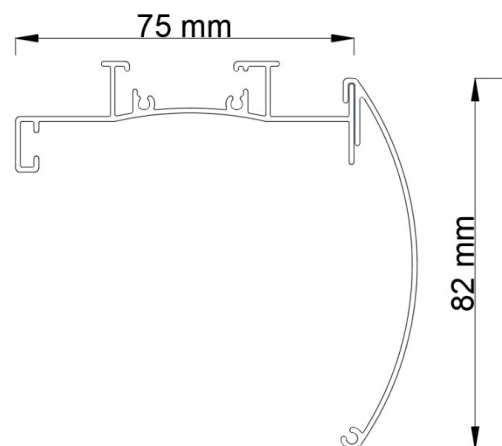
Material : Aluminum

Aluminum Grade: 6063 - T6

Color	
Cream 	White (Standard) 



Perspective



Profile

# Double Bracket

---

The **RB 16-45 Roller CS Louvo Cassette Manual Rail System®** doesn't have the double bracket feature. Use the QR code or the link below to see our product options that offer the double bracket feature.



[RB 16-11 Roller Blind Manual System 40](#)



[RB 16-12 Roller Blind Manual System 45](#)

# Motorization

---

The **RB 16-45 Roller CS Louvo Cassette Manual Rail System®** is manually operated. Use the QR code or the link below to see our product options for motorized systems.



[Roller Blinds Systems - Electrically Operated](#)



[Roller Blinds Systems - Battery Operated](#)

# General Safety Instructions

---

If the blind is not raised or lowered evenly, it can become damaged.

If the fabric is not level as it rolls, it may wrap around the tube incorrectly, leading to wrinkles and could tear over time.

## Important Information for Child Safety:

**Young children can strangle in the chain. Keep cords and chains out of children's reach.**

**Ensure adults adhere to these safety guidelines provided by Sedar:**

- Use cord tensioning hook to prevent strangulation risks with blind chains.
- Position furniture and playpens away from windows to avoid child access to cords.
- Shorten cords and chains to eliminate loop risks; add tassels.
- Replace cords with curtain or blind wands (if applicable) for cord free manual operation.
- Follow safety standards during product installation and maintenance.

**It is required to attach the warning label to the product.**



# Other Relevant Documents

---

To further explore **the RB 16-45 Roller CS Louvo Cassette Manual Rail System®**, please click the links below or scan the QR codes. These will direct you to our System Brochure and Technical Summary, offering in-depth information and visual guides to assist in your project planning.



[16-45 Documents](#)



[Roller Blinds Fabric Specifications](#)

# Projects and Professionals Contact Information

---

For inquiries about **the RB 16-45 Roller CS Louvo Cassette Manual Rail System®** or to utilize our Projects Department's bespoke services, please contact us. Our team is ready to assist with product details, installation, and custom solutions, ensuring your design needs are expertly met. Contact us using the QR code below for guidance in transforming your spaces with innovation and style.



Email: [projects@sedarglobal.com](mailto:projects@sedarglobal.com)

Projects Hotline: [+971502313453](tel:+971502313453)