

# SEDAR

— Since 1892 —

# RB 16-11 Roller Blind Manual System 40<sup>®</sup>

## Technical Document

---



[www.sedarglobal.com](http://www.sedarglobal.com)

# About this Document

---

This document is a detailed technical resource for **the RB 16-11 Roller Blind Manual System 40®**, offering in-depth specifications to aid engineers, installers, and architects in understanding the product's technical intricacies.

To access additional system documents, please click on the links provided below or scan the accompanying QR code for immediate redirection to the relevant document.



[16-11 Documents](#)



[Roller Blinds Fabric Specifications](#)

For inquiries about **the RB 16-11 Roller Blind Manual System 40®** or to utilize our Projects Department's bespoke services, please contact us using the QR code below for guidance in transforming your spaces with innovation and style. Our team is ready to assist with product details, installation, and custom solutions, ensuring your design needs are expertly met.



Email: [projects@sedarglobal.com](mailto:projects@sedarglobal.com)

Projects Hotline: [+971502313453](tel:+971502313453)

# Table Of Contents

---

<b>About this Document</b>	<b>02</b>
<b>System Description</b>	<b>04</b>
<b>System Limitations</b>	<b>04</b>
<b>System Drawing</b>	<b>05</b>
<b>System Profile Drawings</b>	<b>06</b>
<b>Measurement Diagram</b>	<b>09</b>
<b>Measurement Instructions</b>	<b>10</b>
<b>Fitting Techniques</b>	<b>13</b>
<b>Installation Instructions</b>	<b>14</b>
<b>Operation/Control</b>	<b>17</b>
<b>Side Channel Options</b>	<b>18</b>
<b>Valance Options</b>	<b>20</b>
Jumbo Cassette	20
Louvo Cassette	20
Standard Valance	21
<b>Double Bracket</b>	<b>22</b>
<b>Motorization</b>	<b>23</b>
<b>General Safety Instructions</b>	<b>24</b>
<b>Other Relevant Documents</b>	<b>25</b>
<b>Projects and Professionals Contact Information</b>	<b>25</b>

# System Description

---

The **Sedar RB 16-11 Roller Blind Manual System 40®** is a versatile solution for residential, commercial, and large venues. This system incorporates a 40 mm pipe, and includes a bi-directional wrap spring clutch in a closed, maintenance-free arrangement.

This system has a vast selection of fabric choices, offering custom-printed blinds for a personal touch. Side channel features help to reduce light gaps, while the double roller bracket feature makes it easier to install multiple blinds while saving space. It is easy to install and compatible with substrates such as concrete, wood, reinforced gypsum, and metal.

This product comes with the following warranties:

Products	Warranties
Sunscreen Fabric	10 years
Blackout Fabric	1 year
Non-Blackout Fabric	1 year
System	10 years

# System Limitations

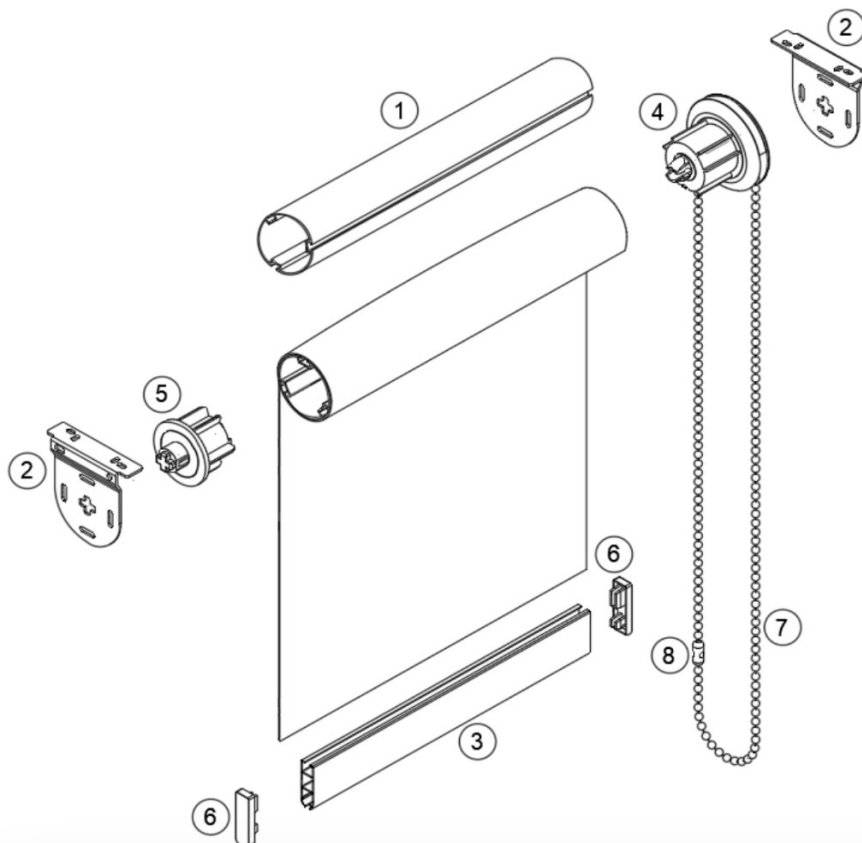
---

Description	Value
Tube	40 mm
Minimum Width	20 cm
Maximum Width	220 cm
Minimum Height	20 cm
Maximum Height	300 cm

# System Drawing

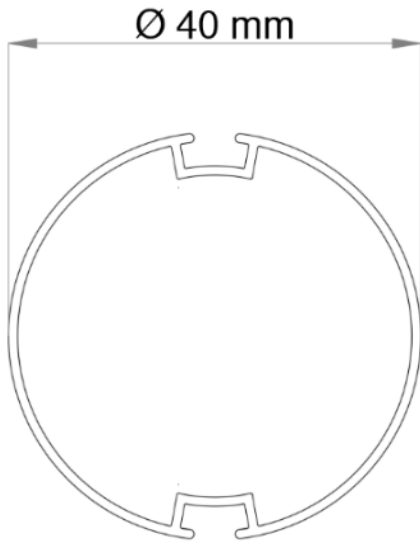
**System:** 16-11 Roller Blind Manual System 40

**Operation:** Manual Operation with Chain



Part No.	Description
1	Roller Blind Top Tube - Aluminum
2	Bracket for RB 16-11 System - White
3	Powder Coated Bottom Rail - White
4 & 5	RB 16-11 System Clutch and End Plug Set - White
6	Bottom Rail End Cap - White
7	Metal Ball Chain 4.5 mm
8	Metal Ball Connector

# Profile Drawings

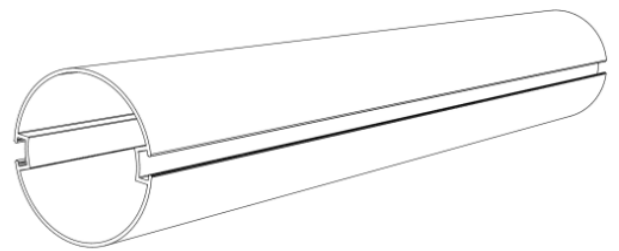


**Tube size (40 mm)**

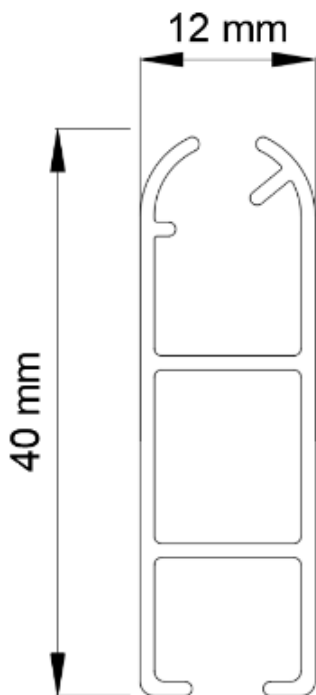
**Material:** Aluminum

**Aluminum Grade:** 6063 - T6

**Thickness:** 1.5 mm






**Perspective**

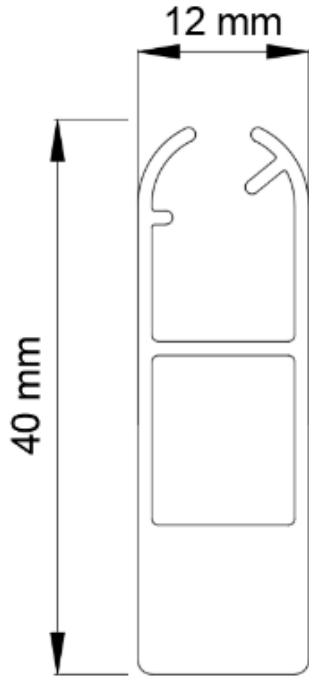


**Light Bottom Rail (Standard)**

**Material:** Aluminum

**Aluminum Grade:** 6063 - T6

Color		
Cream	Gray	White
		

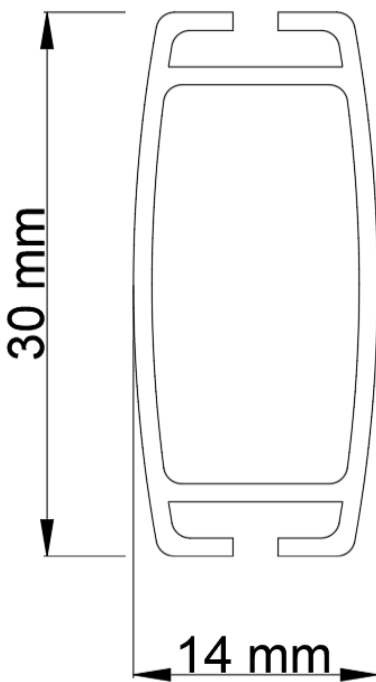


**Heavy Bottom Rail (For Request)**

**Material:** Aluminum

**Aluminum Grade:** 6063 - T6

Color		
Cream	Gray	White
●	●	○



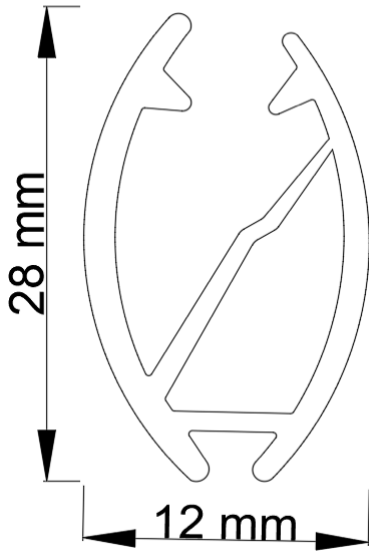
**Covered Bottom Rail (For Request)**

**Material:** Aluminum

**Aluminum Grade:** 6063 - T6

**Note:** This bottom rail is wrapped with the same fabric material as the blind.






Color		
Cream	Gray	White
●	●	○



**Elite Bottom Rail (For Request)**

Material: Aluminum

Aluminum Grade: 6063 - T6

Color		
Silver 	Gold Brushed 	Black 
Rose Brushed 	Copper Brushed 	

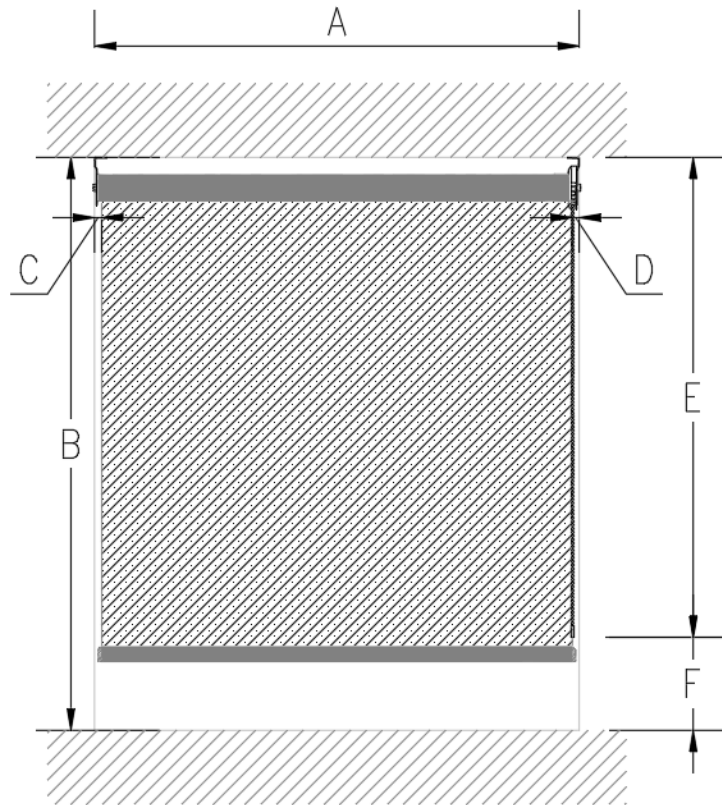


*Elite Bottom Rail with their Colors (For Request)*



# Measurement Diagram

---



**A-** System width. If the roller is mounted inside the window frame, reduce the width by 1 cm. For outdoor mounting, we recommend adding 10 cm on each side.

**B-** System height

**C-** Light gap on left side 15 mm

**D-** Light gap on right side 15 mm

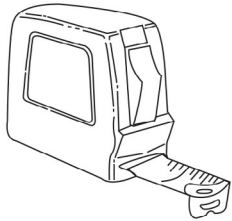
**E-** Chain length

**F-** Floor to chain height

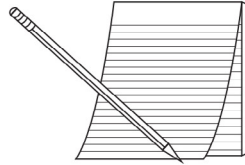
# Measurement Instructions

---

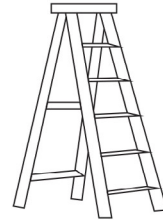
## Tools Needed



1. Measuring tape (metal)



2. Pencil and notepad

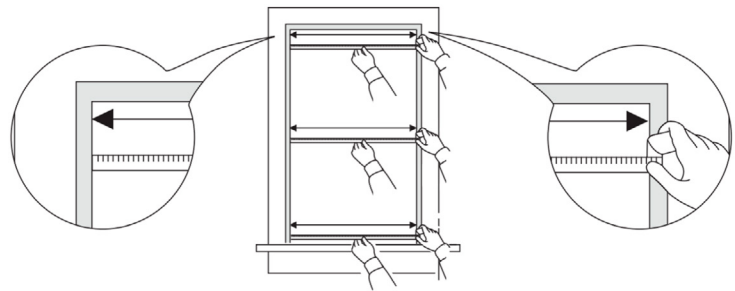


3. Step ladder

## Inside Mount Roller Blinds Measurement Instructions

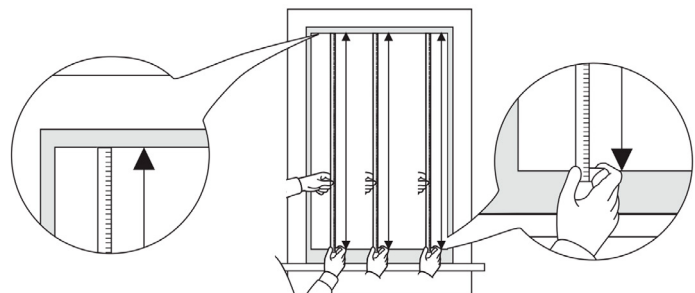
### Step 1:

Measure the top, middle, and bottom then record the narrowest.



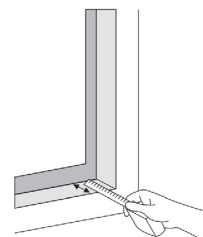
### Step 2:

Measure the left center and right center then record the longest height.



### Step 3:

Measure and record the depth of the window.

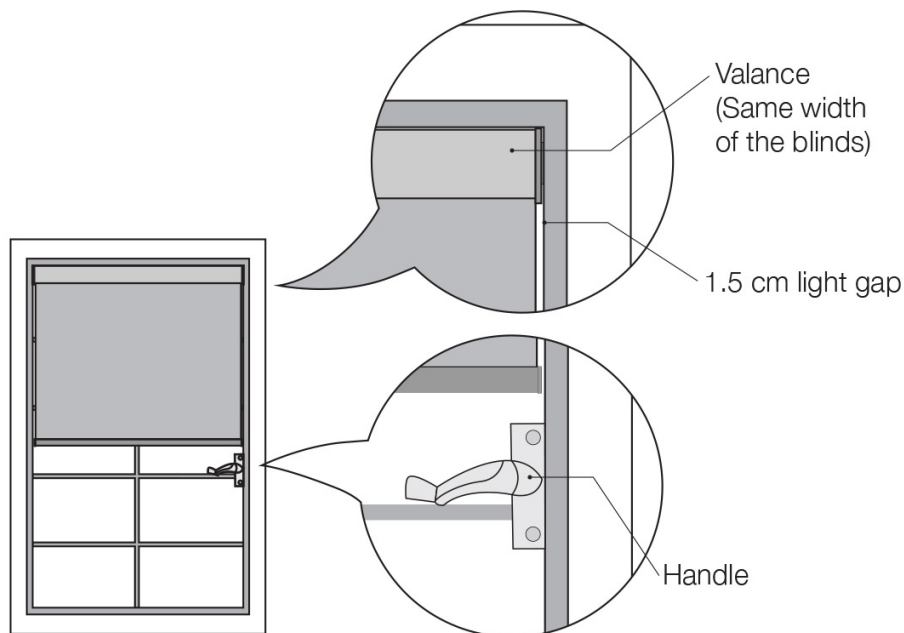


**Note:** The minimum depth required (without valance) is 7.5 cm for a flush look.

# Things to consider

## Considerations for Adding Valance (Optional):

- Valance measurement should equal the window width.
- Expect gaps (1.5 cm) on the sides.
- Pay attention to door knobs and handles. If they are present, think about opting for an outside mount.
- Note that with the cassette option the blind cannot roll outwards, only inside rolling is possible.
- Minimum depth required for valance is 10 cm.



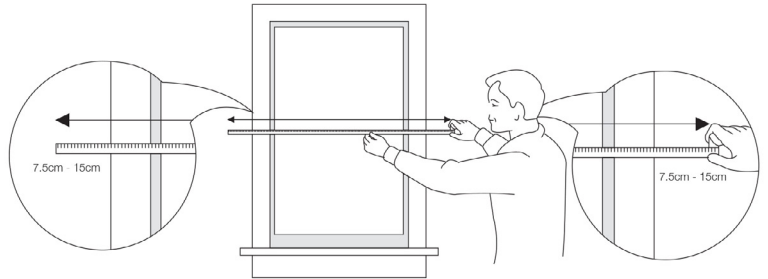
# Outside Mount Roller Blinds Measurement Instructions

## Step 1:

Measure the middle width of the window.

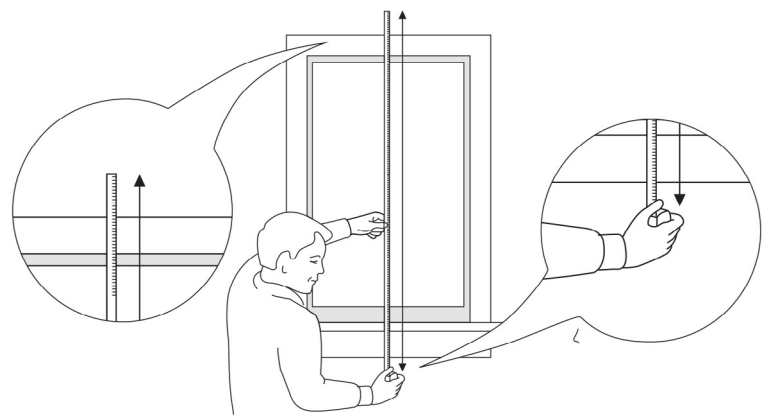
## Step 2:

Add 7.5 cm - 15 cm to each side to minimize light penetration.



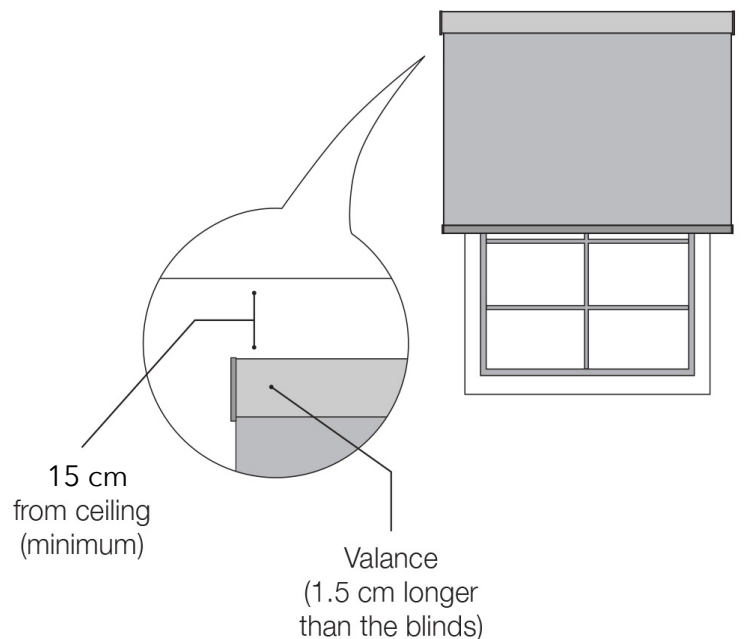
## Step 3:

Measure the height from the middle of the window. The height will depend on your measurement.



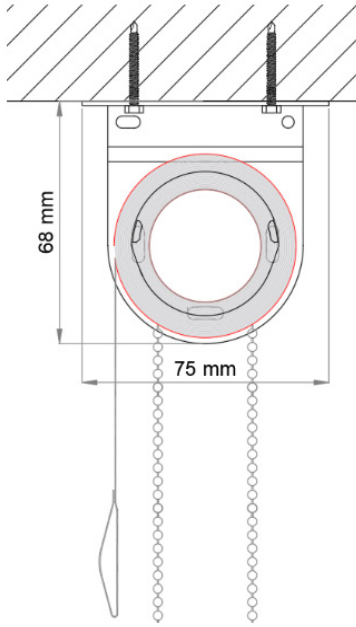
## Considerations for Adding Valance (Optional):

- Cornice and valance measurements will be automatically manufactured 1.5 cm wider than the blinds.
- Maintain a minimum of 15 cm above the window for installation.

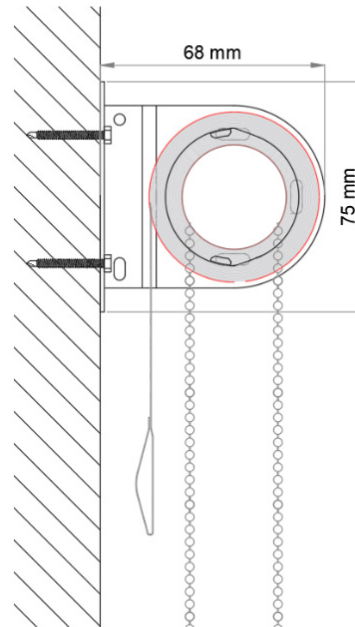


# Fitting Techniques

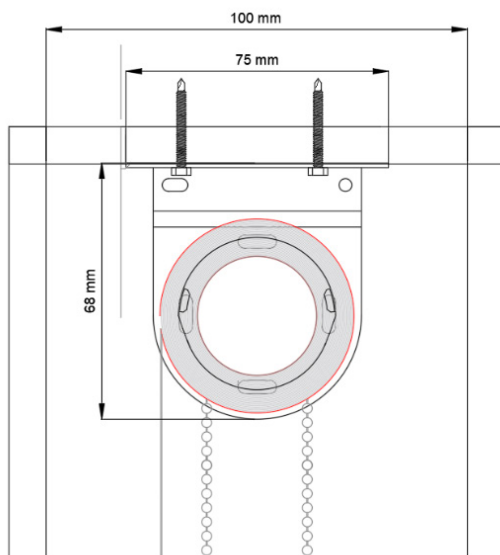
**Note:** 75 mm clear surface area is required for installation and a drop of 68 mm.



**Ceiling Mount**

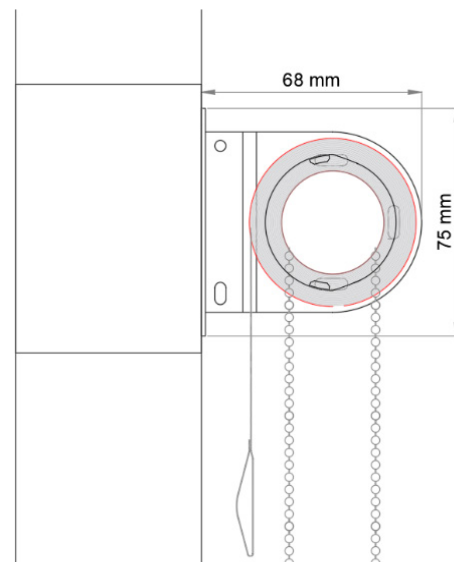


**Wall Mount**



**Recess Mount**

**Note:** A minimum of 100 mm is required for installation.



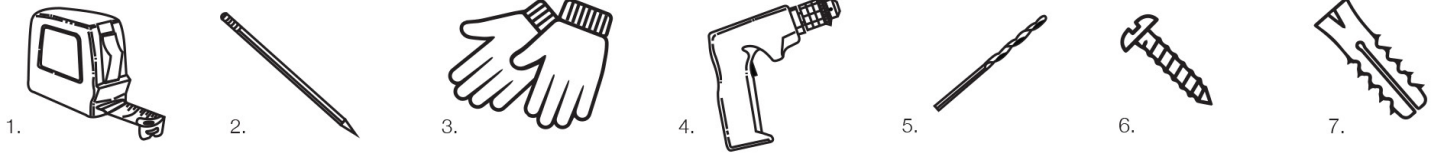
**Glue Mount**

Special adhesive glue is required for installation

# Installation Instructions

---

## Tools needed



1. Measuring tape (metal)

2. Pencil (for marking)

3. Work gloves

4. Drill Machine

5. Drill Bit

6. Screws

7. Wall Plug (Wall Anchor)

The requirement for each type of installation to provide strength and corrosion resistance in various types of installation surface applications:

1. Aluminum - Stainless steel self-drilling screws.

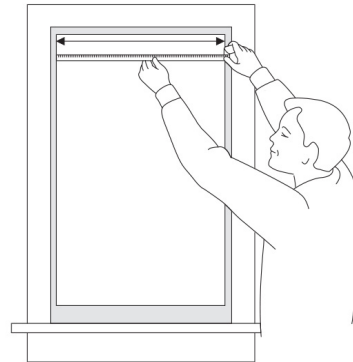
2. Concrete - 6 mm screws and plugs are required for installation.

3. Gypsum - Special butterfly screws and plugs are required for installation.

## Installation Steps:

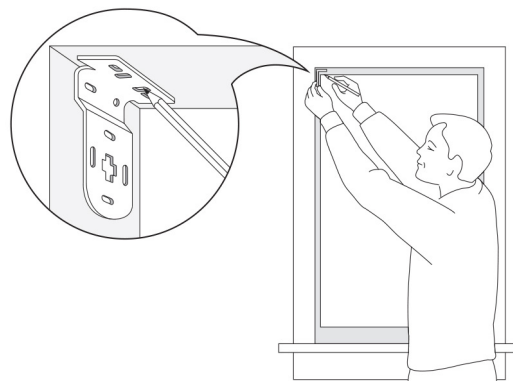
### Step 1:

Measure the wall, ceiling, and window.



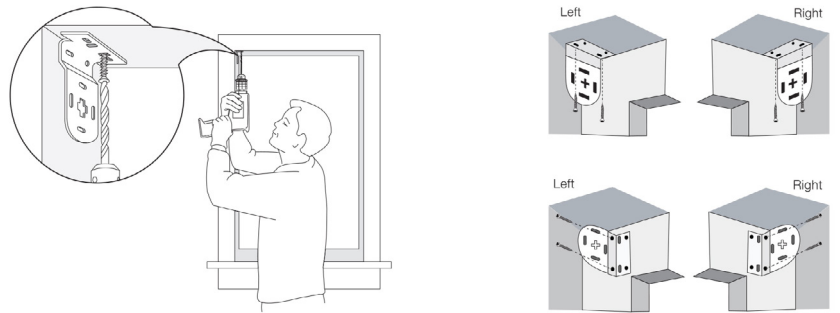
### Step 2:

Mark the position of the first bracket.



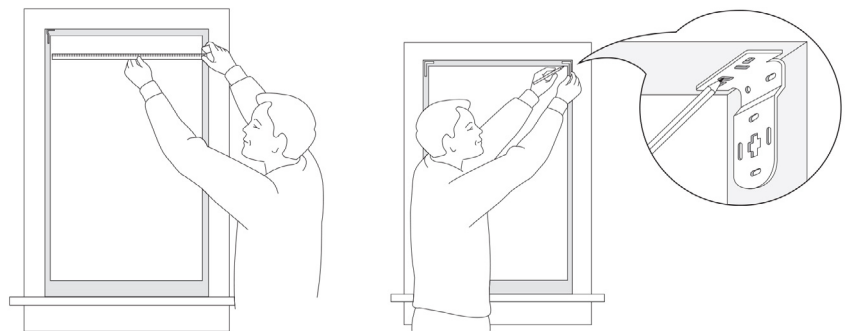
**Step 3:**

Install the first bracket using a drill or screwdriver.



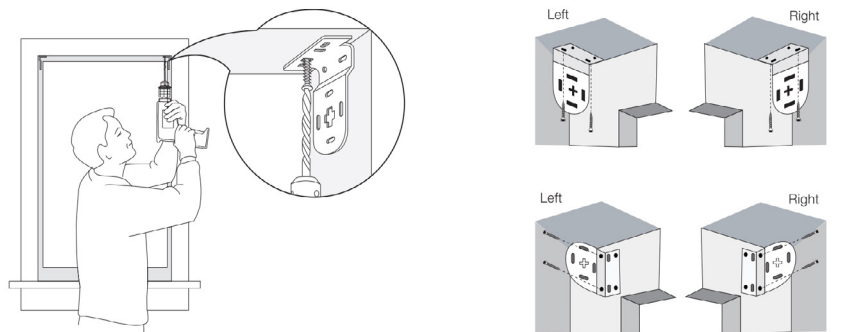
**Step 4:**

Measure and mark the position of the second bracket, ensuring it aligns with the first.



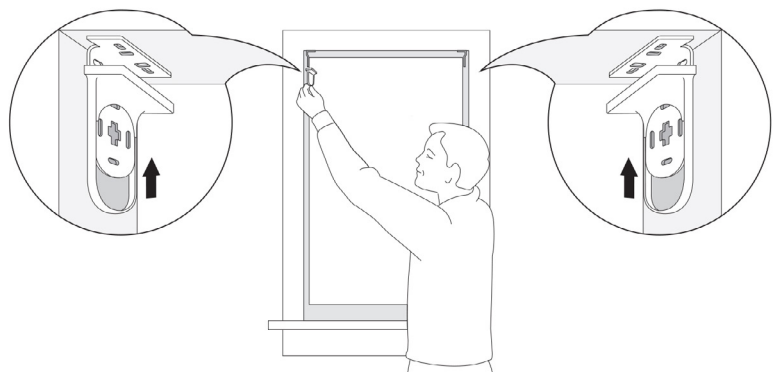
**Step 5:**

Install the second bracket using a drill.



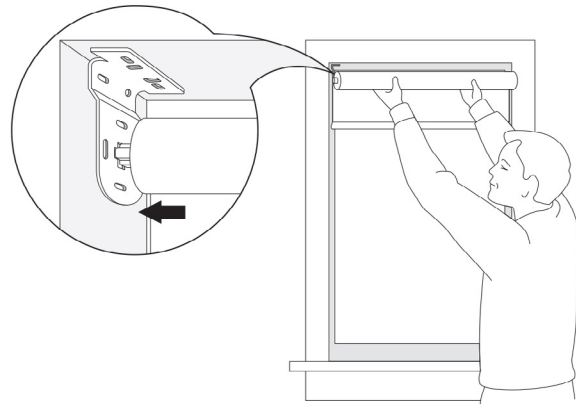
**Step 6:**

Attach the bracket cover on both sides.



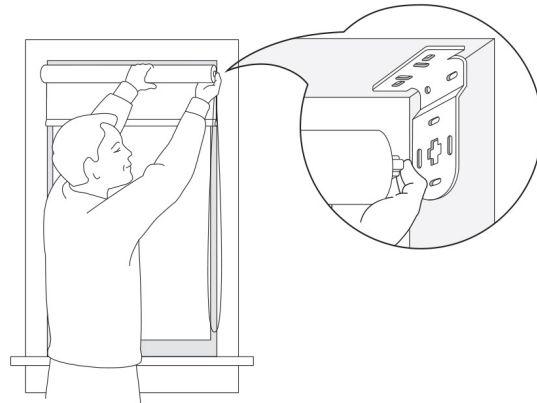
**Step 7:**

Insert the roller blind on one side.



**Step 8:**

Insert the other end by pushing the spring inwards into the bracket



**Step 9:**

Test the blinds if it is installed properly. Do not exert too much pressure.



**Step 10:**

Check if the roller blind is working properly by pulling the chain to move the blind up and down.



**Tips**

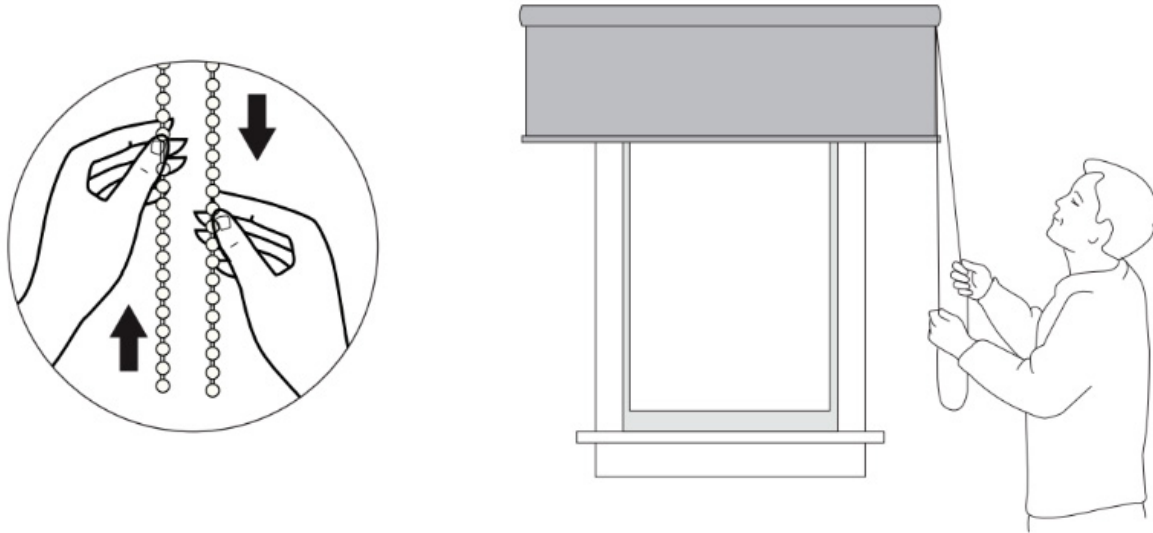
- For chain-operated shades, please be attentive to children.
- Alignment of brackets should be exact to avoid damaging the product.



# Operation/Control

---

Raising or Lowering: Pull one side of the cord down to the desired position. As you stop pulling, the blinds will also stop.



# Product Maintenance and Cleaning

---

- Regularly dust with a feather duster or soft cloth.
- For thorough dust removal, use a hand-held vacuum with low suction.
- CAUTION: Avoid harsh detergents.

# Side Channel Option

A side channel is a vertical guide installed on either side of a window to slot the edges of the blind fabric, enhancing functionality and aesthetics.

The set includes an aluminum cassette, side channel profiles, and a bottom bar in standard white, cream, or beige finishes.



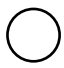

The fabric edges are secured with a dual brush insert, and operation is through a stainless steel ball chain.

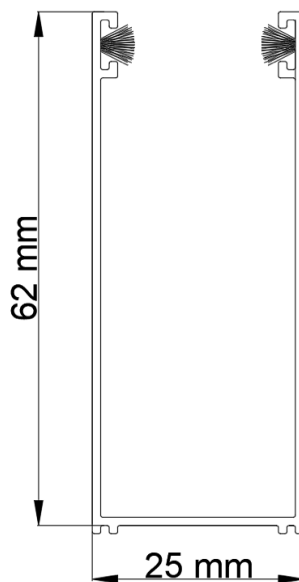
## Single Side Channel

**Material:** Aluminum

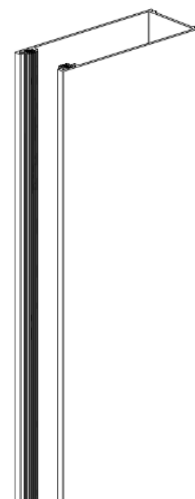
**Aluminum Grade:** 6063 - T6

**Thickness:** 1.5 mm

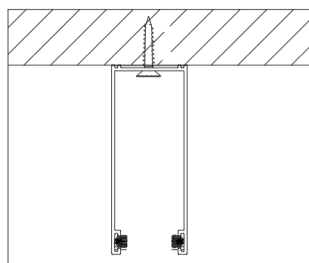
Color	
Cream 	Gray 
White 	Mill Finish 



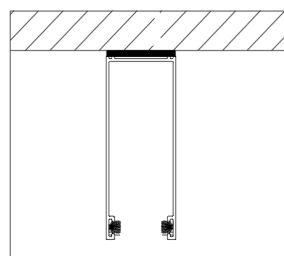
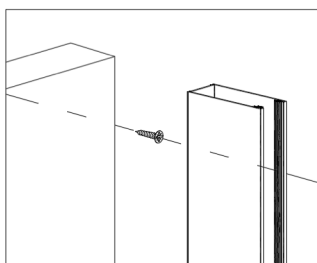
Profile



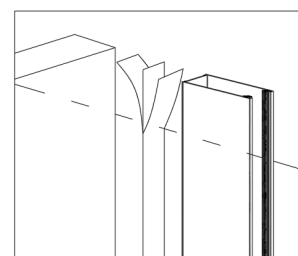
Perspective



Screw mounting technique



Double-sided tape mounting technique






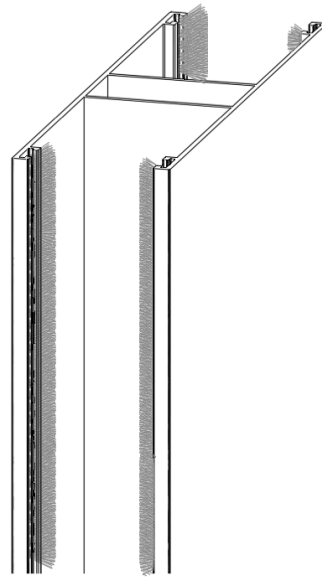
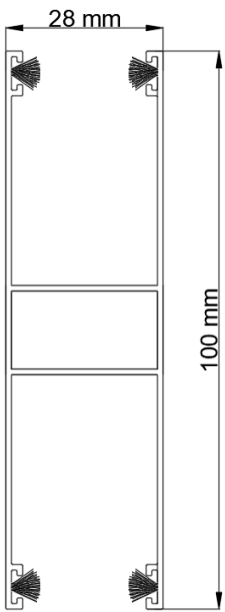
# Double Side Channel

Material: Aluminum

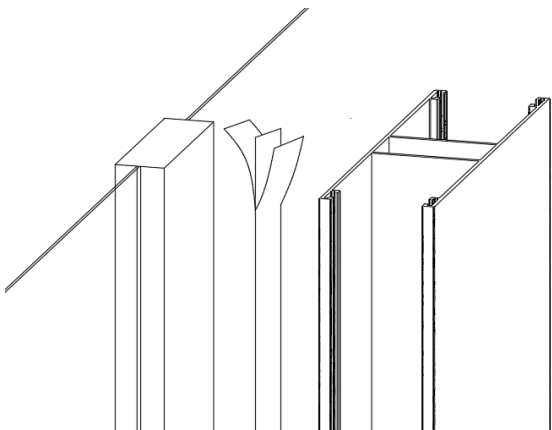
Aluminum Grade: 6063 - T6

Thickness: 1.5 mm

Color		
Mill Finish	Gray	White
		



Secure two or more sequential roller blinds on aluminum surfaces for light-blocking purposes and enhanced aesthetics, utilizing either double-sided tape or adhesive.



Installing on aluminum using double sided tape

# Valance Options

A valance improves roller blinds by concealing the top pipe and hardware. It shields the mechanism from dust and damage, reducing maintenance and extending system life. Sedar offers four valance options.

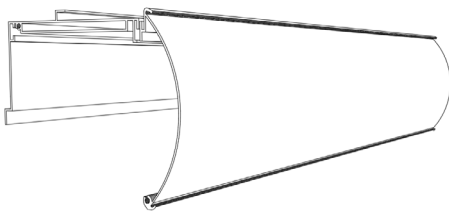
## Jumbo Cassette

System Code: 16-13

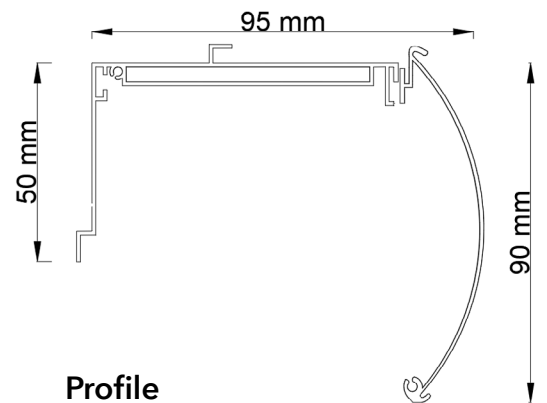
Colors: Covered by the blind fabric selection.

Material : Aluminum

Aluminum Grade: 6063 - T6



Perspective





Profile

## Louvo Cassette

System Code: 16-15






Material : Aluminum

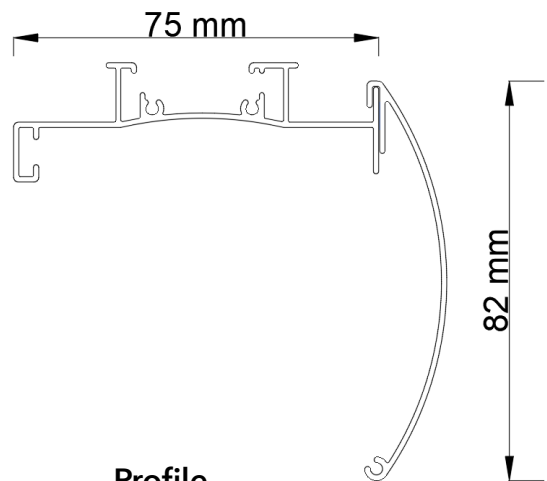
Aluminum Grade: 6063 - T6

Color	
Cream 	White (Standard) 

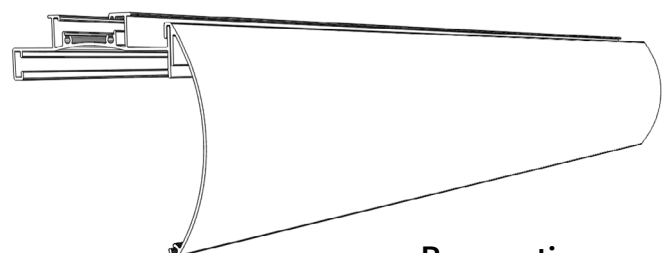
Elite system additional colors:

System Code: 16-76

Color		
Silver 	Gold 	Black 
Rose 	Copper 	



Profile



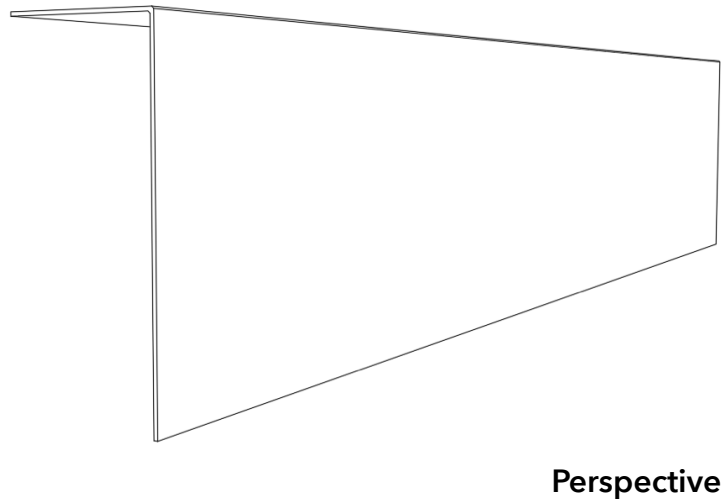
Perspective

# Standard Valance

System Code: 16-71

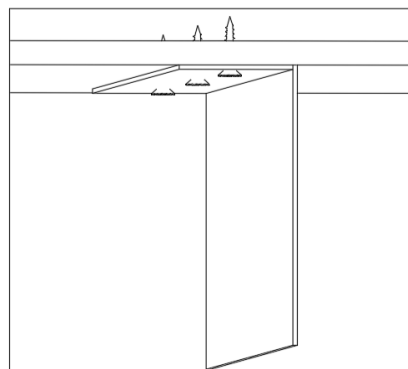
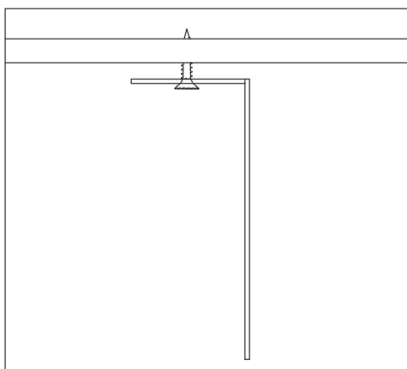
Material: Aluminum

Aluminum Grade: 6063 - T6

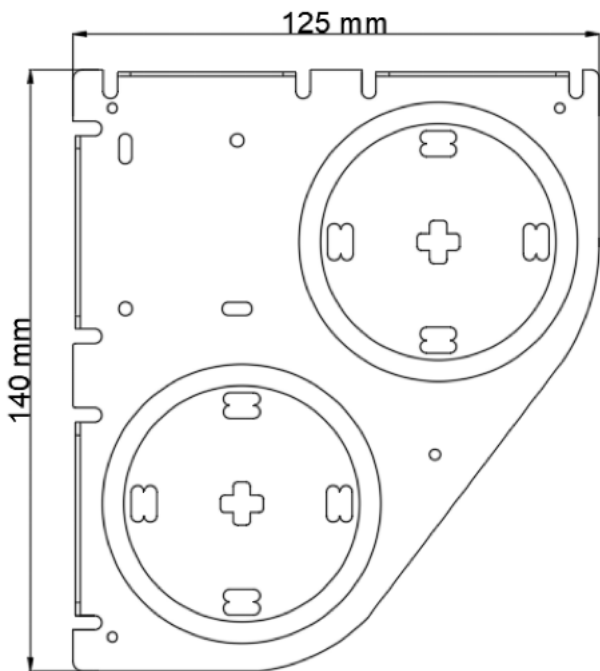


## Standard Valance Fitting Diagram

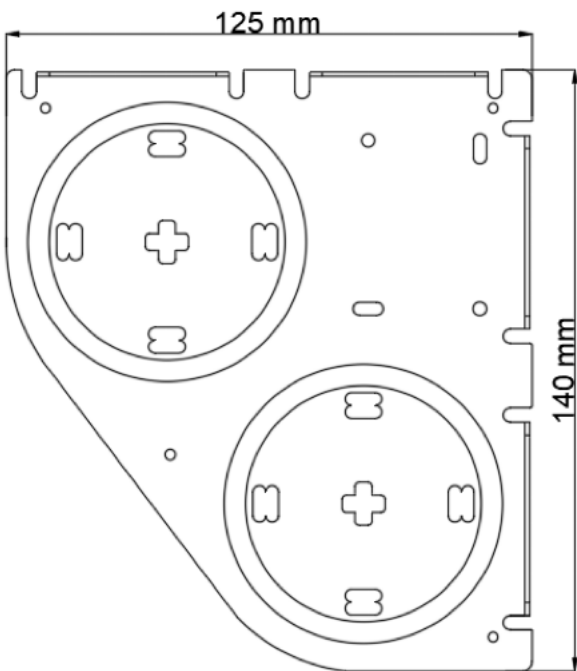
1. Measure and mark valance location on ceiling.
2. Drill holes, insert anchors.
3. Place valance and ensure it's centered and level.
4. Double-check alignment, adjust if needed.
5. Wipe away marks and dust.



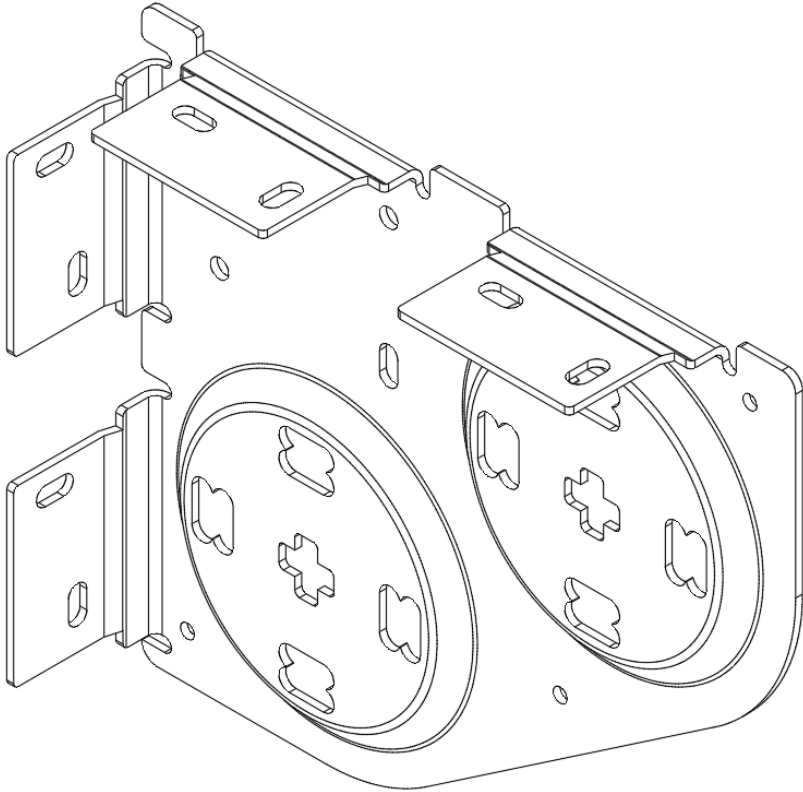
# Double Bracket



Right Side Bracket



Left Side Bracket



# Motorization

---

Roller Blinds System 16-11 is manually operated. Use the QR code or the link below to see our product options for motorized systems.



[Roller Blinds Systems - Electrically Operated](#)



[Roller Blinds Systems - Battery Operated](#)

# General Safety Instructions

---

If the blind is not raised or lowered evenly, it can become damaged.

If the fabric is not level as it rolls, it may wrap around the tube incorrectly, leading to wrinkles and could tear over time.

## Important Information for Child Safety:

**Young children can strangle in the chain. Keep cords and chains out of children's reach.**

**Ensure adults adhere to these safety guidelines provided by Sedar:**

- Use cord tensioning hook to prevent strangulation risks with blind chains.
- Position furniture and playpens away from windows to avoid child access to cords.
- Shorten cords and chains to eliminate loop risks; add tassels.
- Replace cords with curtain or blind wands (if applicable) for cord free manual operation.
- Follow safety standards during product installation and maintenance.

**It is required to attach the warning label to the product.**





# Other Relevant Documents

---

To further explore **the RB 16-11 Manual Roller Blind System 40®**, please click the links below or scan the QR codes. These will direct you to our System Brochure and Technical Summary, offering in-depth information and visual guides to assist in your project planning.



[16-11 Documents](#)



[Roller Blinds Fabric Specifications](#)

# Projects and Professionals Contact Information

---

For inquiries about **the RB 16-11 Roller Blind Manual System 40®** or to utilize our Projects Department's bespoke services, please contact us. Our team is ready to assist with product details, installation, and custom solutions, ensuring your design needs are expertly met. Contact us using the QR code below for guidance in transforming your spaces with innovation and style.



Email: [projects@sedarglobal.com](mailto:projects@sedarglobal.com)

Projects Hotline: [+971502313453](tel:+971502313453)