

SEDAR

— Since 1892 —

RB 16-44 Roller Blind CS Louvo Cassette Motorized System[®] Technical Document



About this Document

This document is a detailed technical resource for **the RB 16-44 Roller Blind CS Louvo Cassette Motorized System®**, offering in-depth specifications to aid engineers, installers, and architects in understanding the product's technical intricacies.

To access additional system documents, please click on the links provided below or scan the accompanying QR code for immediate redirection to the relevant document.



[16-44 Documents](#)



[Roller Blinds Fabric Specifications](#)

For inquiries about **the RB 16-44 Roller Blind CS Louvo Cassette Motorized System®** or to utilize our Projects Department's bespoke services, please contact us using the QR code below for guidance in transforming your spaces with innovation and style. Our team is ready to assist with product details, installation, and custom solutions, ensuring your design needs are expertly met.



Email: projects@sedarglobal.com

Projects Hotline: [+971502313453](tel:+971502313453)

Table Of Contents

About this Document	02
System Description	04
System Limitations	04
System Drawing	05
System Profile Drawings	06
Measurement Diagram	07
Measurement Instructions	08
Fitting Techniques	11
Installation Instructions	12
Operation/Control	18
Side Channel Options	19
Valance	20
Louvo Cassette	20
Double Bracket	21
Motorization	22
General Safety Instructions	23
Other Relevant Documents	24
Projects and Professionals Contact Information	24

System Description

The **Sedar RB 16-44 Roller Blind CS Louvo Cassette Motorized Rail System**[®] is a versatile solution for residential, commercial, and large venues. The system incorporates a 40 mm pipe with a louvo cassette that shields the mechanism from dust and damage, reducing maintenance, and extending system life. This system is remote controlled and automation compatible powered by Somfy Sonesse[®] 30 that allows for wireless radio control of motorized window covering.

This system features a unique design incorporating alternating strips of sheer and opaque fabric, tailored to enhance both the look and functionality of the interiors. It is easy to install and compatible with substrates such as concrete, wood, reinforced gypsum, and metal.

This product comes with the following warranties:

Products	Warranties
CS Fabric	1 year
Motor and System	1 year

System Limitations

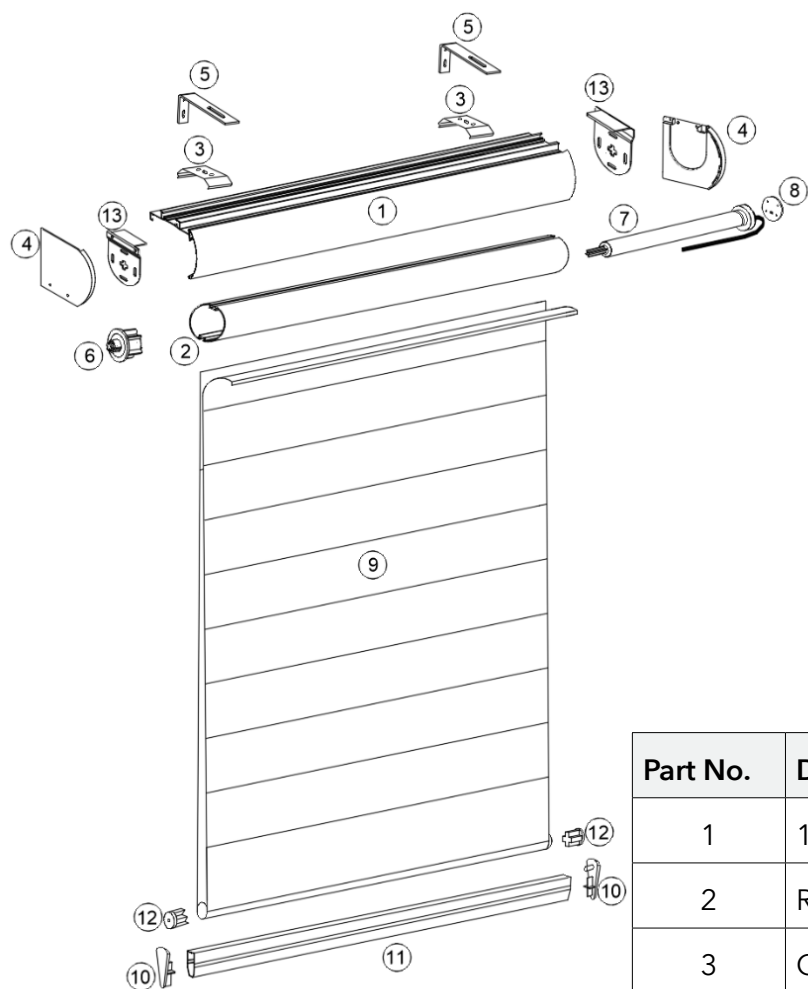
Description	Value
Tube	40 mm
Minimum Width	20 cm
Maximum Width	220 cm
Minimum Height	20 cm
Maximum Height	300 cm

Note: Larger dimensions are allowed through Ultrasonic Welding.

System Drawing

System: 16-44 Roller Blind CS Louvo Cassette Motorized System

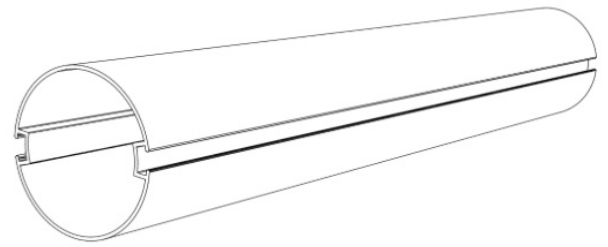
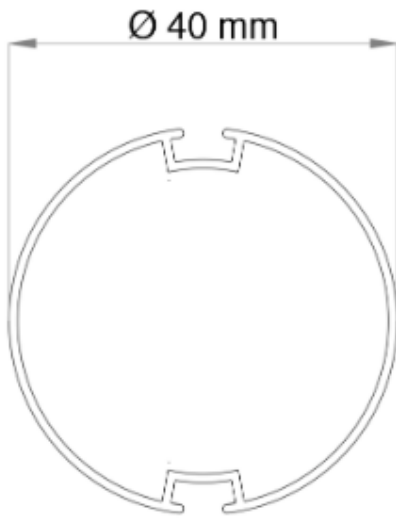
Operation: Remote Controlled and Automation Compatible



Part No.	Description
1	16-44 Louvo Cassette
2	Roller Blinds 40mm Tube - Aluminum
3	Ceiling Brackets
4	Cassette Cover System Plastic One Set (2 pcs)
5	L Clip Brackets
6	RB 16-44 End Plug
7	Bottom Rail End Cup
8	Somfy Sonesse® 30 RTS Motor
9	Head Crown
10	CS Fabric
11	Bottom End Cap
12	Powder Coated Bottom Rail
13	Round Bottom Rail End Cap

***Note:** Contact your system integrator for automation system.

Profile Drawings



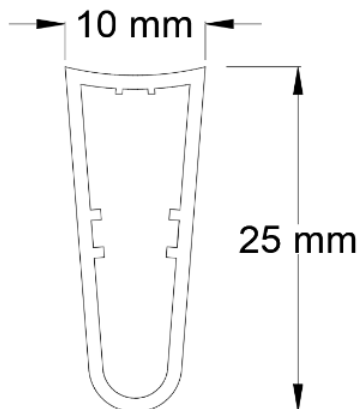
Tube size (40 mm)

Material: Aluminum

Aluminum Grade: 6063 - T6

Thickness: 1.5 mm


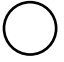
Perspective

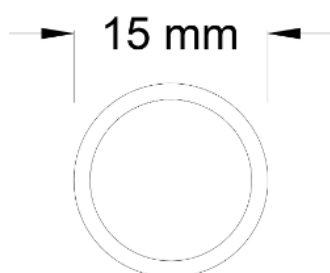


Bottom Rail 1

Material: Aluminum

Aluminum Grade: 6063 - T6

Color	
Cream 	White 

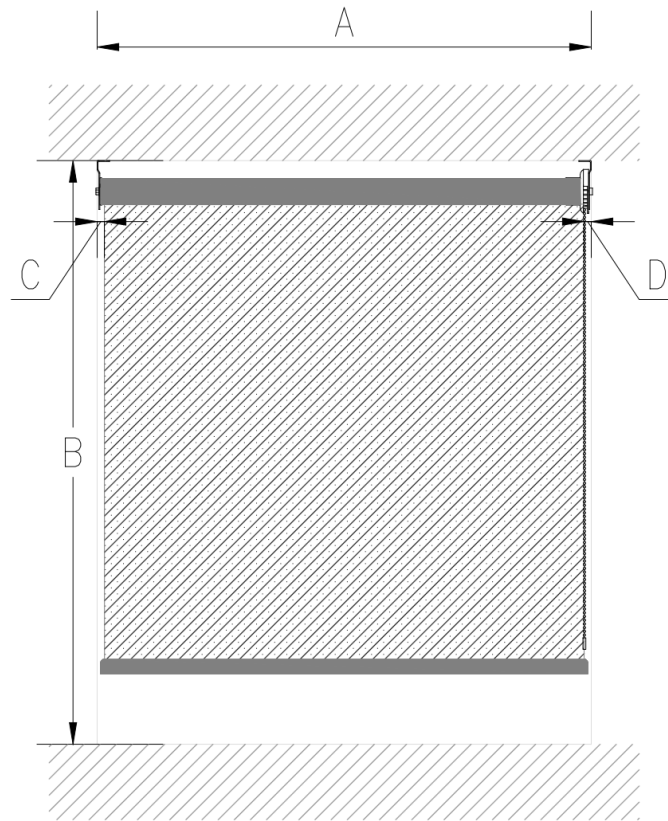


Bottom Rail 1 (Round)

Material: Aluminum

Aluminum Grade: 6063 - T6

Measurement Diagram



A- System width. If the roller is mounted inside the window frame, reduce the width by 1 cm. For outdoor mounting, we recommend adding 10 cm on each side.

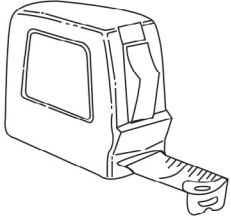
B- System height

C- Light gap on left side 25 mm

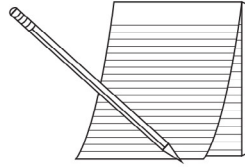
D- Light gap on right side 25 mm

Measurement Instructions

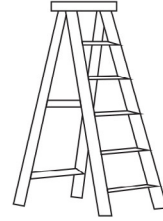
Tools Needed



1. Measuring tape (metal)



2. Pencil and notepad

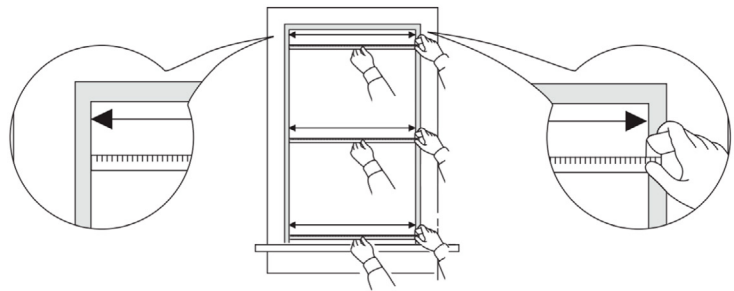


3. Step ladder

Inside Mount Roller Blinds Measurement Instructions

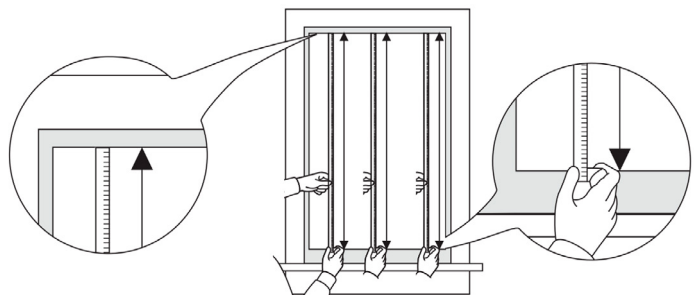
Step 1:

Measure the top, middle, and bottom then record the narrowest.



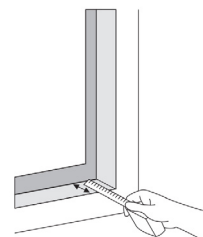
Step 2:

Measure the left center and right center then record the longest height.



Step 3:

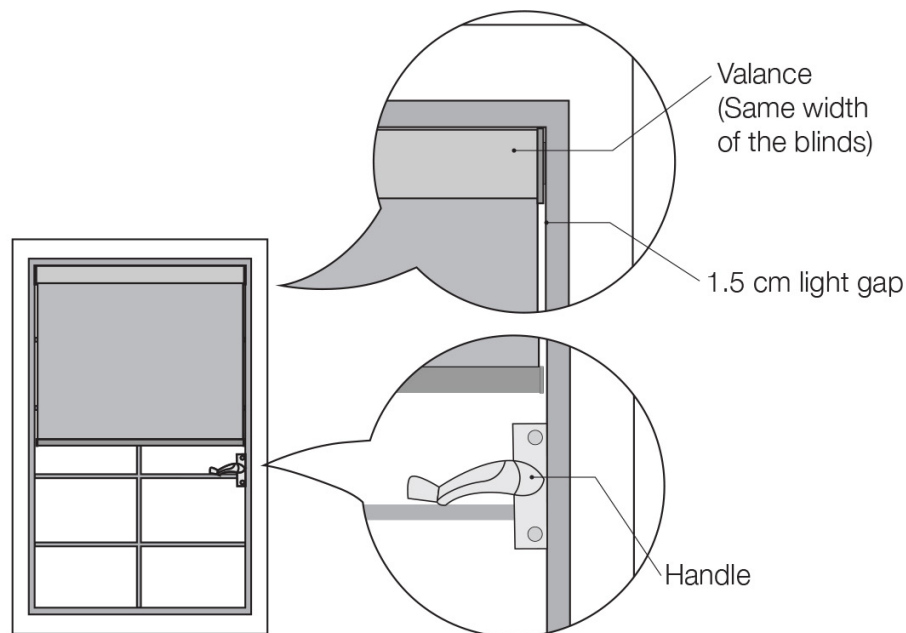
Measure and record the depth of the window.



Things to consider

Considerations for Valance:

- Valance measurement should equal the window width.
- Expect gaps (2.5 cm) on the sides.
- Pay attention to door knobs and handles. If they are present, think about opting for an outside mount.
- Note that with the cassette, the blind cannot roll outwards, only inside rolling is possible.
- Minimum depth required for valance is 10 cm.



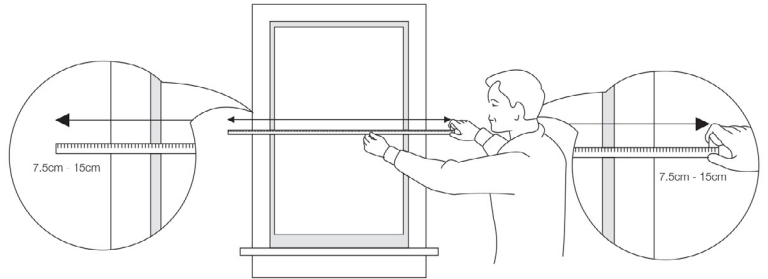
Outside Mount Roller Blinds Measurement Instructions

Step 1:

Measure the middle width of the window.

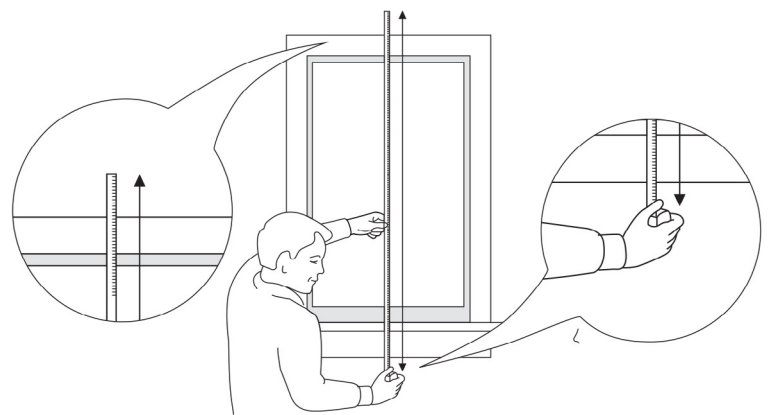
Step 2:

Add 7.5 cm - 15 cm to each side to minimize light penetration.



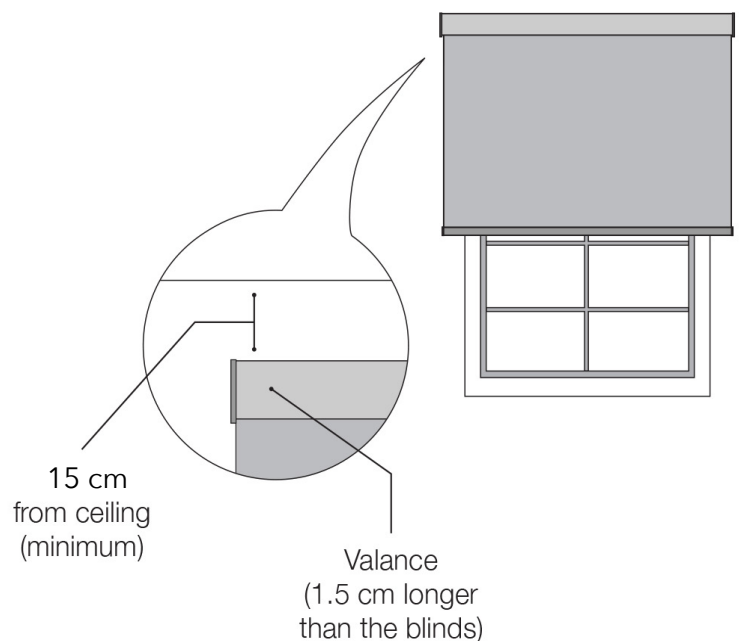
Step 3:

Measure the height from the middle of the window. The height will depend on your measurement.

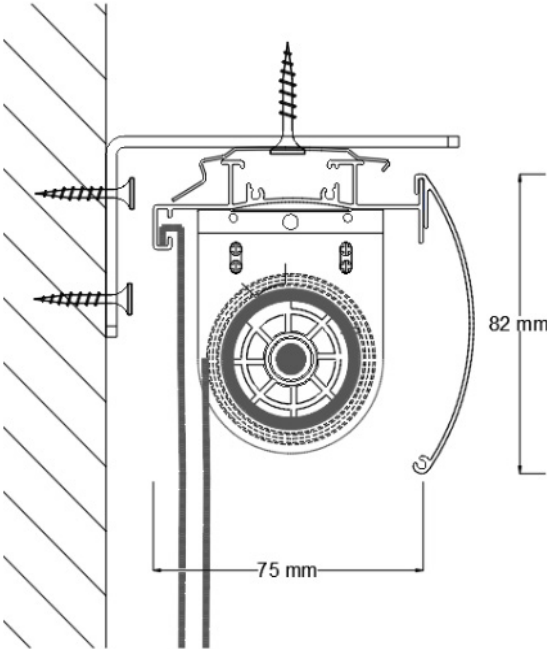


Considerations for Valance:

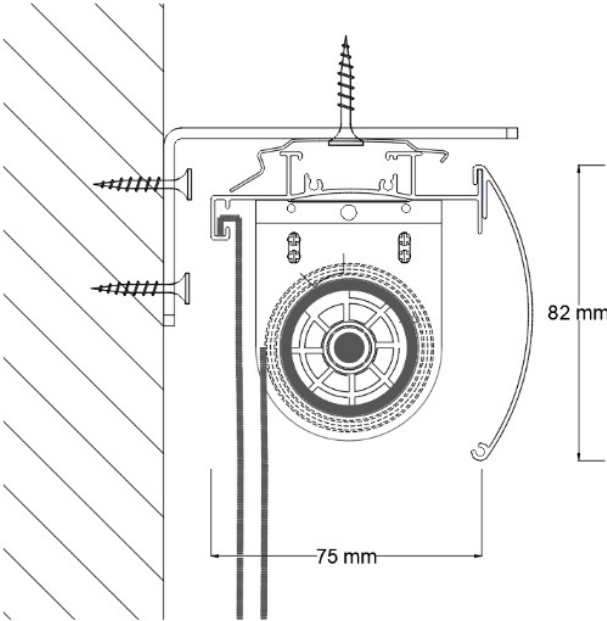
- Cornice and valance measurements will be automatically manufactured 1.5 cm wider than the blinds.
- Maintain a minimum of 15 cm above the window for installation.



Fitting Techniques



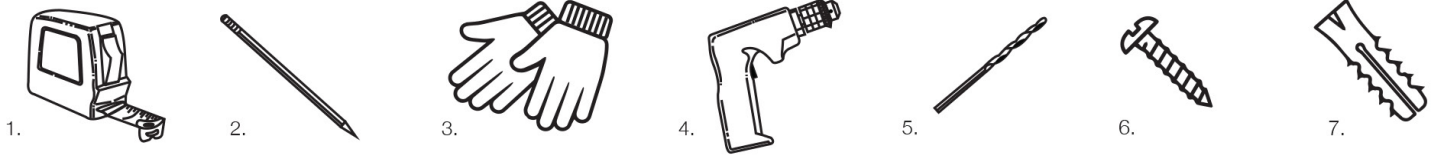
Ceiling Mount



Wall Mount

Installation Instructions

Tools needed



1. Measuring tape (metal)

2. Pencil (for marking)

3. Work gloves

4. Drill Machine

5. Drill Bit

6. Screws

7. Wall Plug (Wall Anchor)

The requirement for each type of installation to provide strength and corrosion resistance in various types of installation surface applications:

1. Aluminum - Stainless steel self-drilling screws.

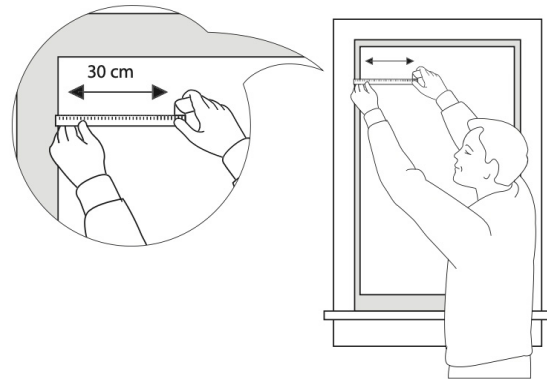
2. Concrete - 6 mm screws and plugs are required for installation.

3. Gypsum - Special butterfly screws and plugs are required for installation.

Installation Steps (Inside Mount):

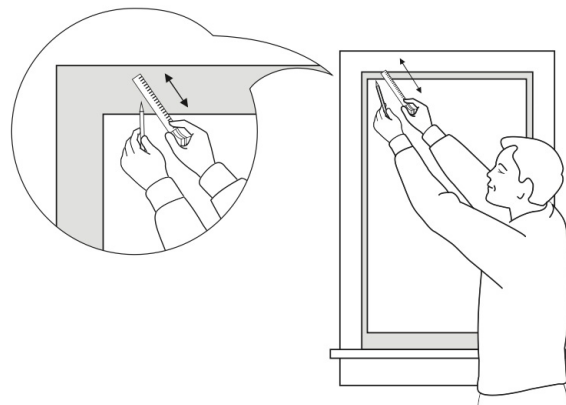
Step 1:

Measure the wall or ceiling for the first bracket position 30 cm from the edge.



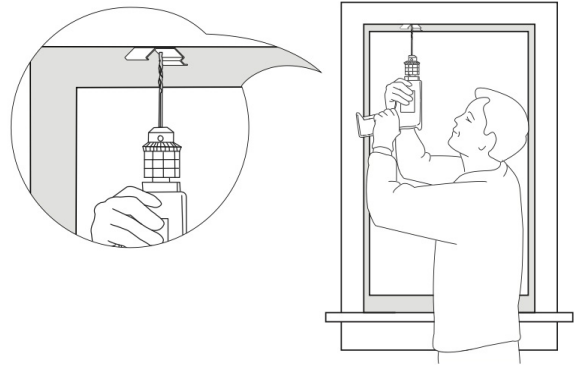
Step 2:

Mark the position of the first bracket 5 cm depth.



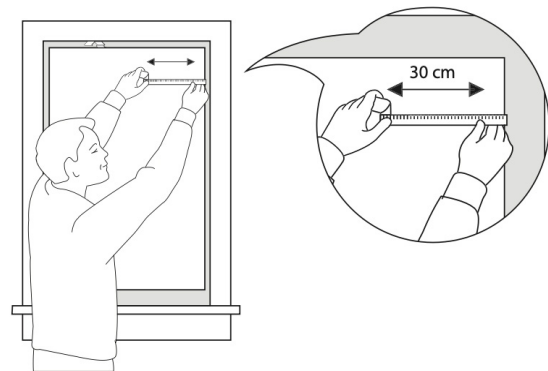
Step 3:

Fix the first bracket using a drill or screwdriver.



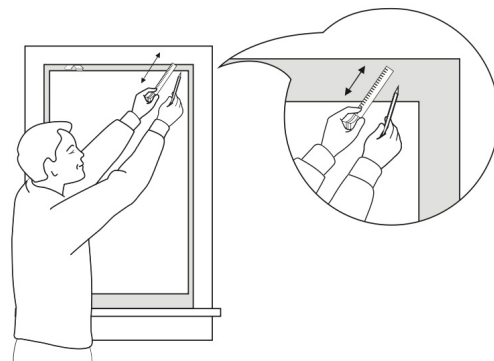
Step 4:

Measure the wall for the second bracket. Make sure the position is exactly aligned to the first bracket.



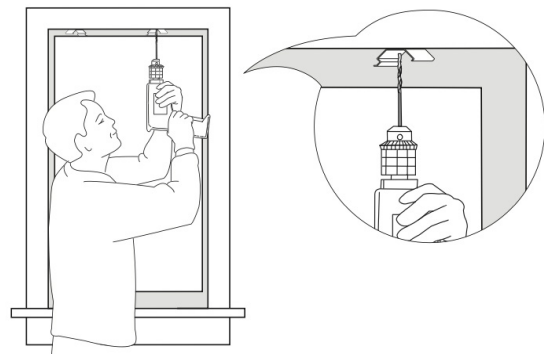
Step 5:

Mark the second bracket.



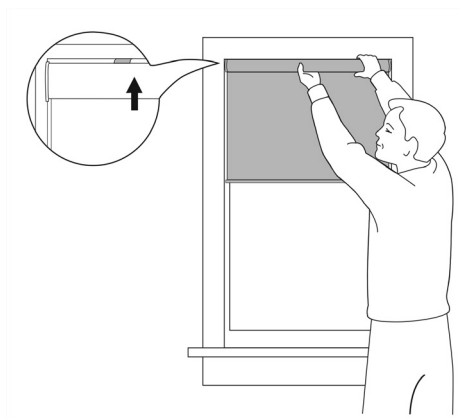
Step 6:

Fix the second bracket using a drill or screwdriver.



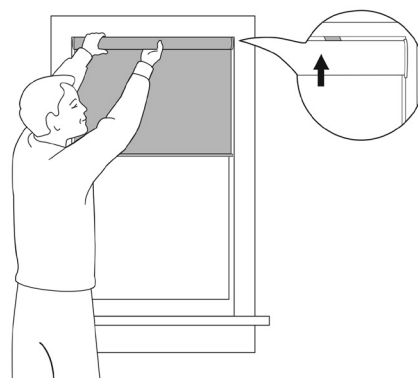
Step 7:

Fix the roller shades on one side.



Step 8:

Fix the roller shade on the other side.



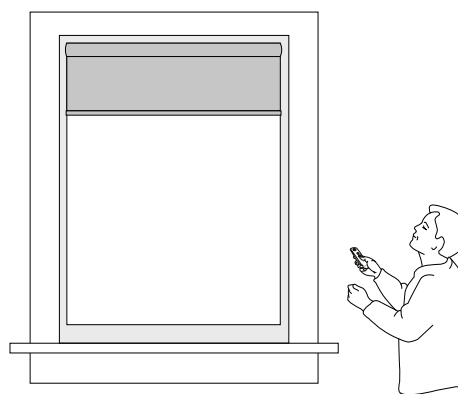
Step 9:

Test if the roller shades is installed properly. Do not exert too much pressure.



Step 10:

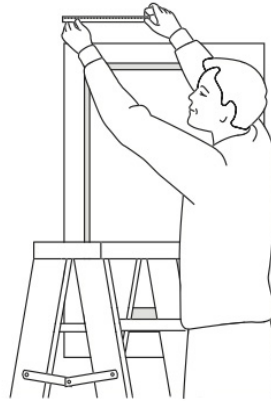
Check if it's working correctly using the Somfy remote control.



Installation Steps (Outside Mount):

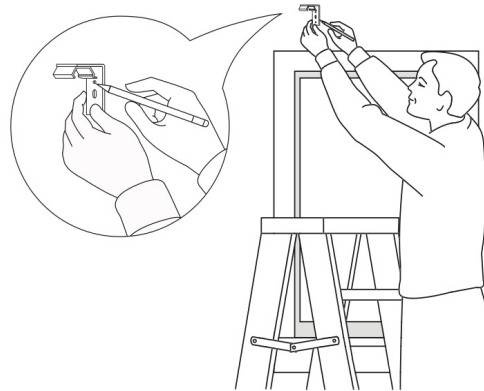
Step 1:

Measure the wall or ceiling for the first bracket position 30 cm from the edge.



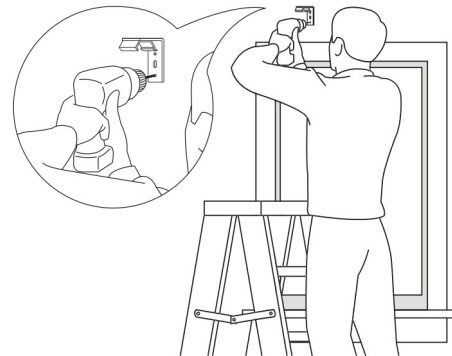
Step 2:

Mark the position of the first bracket.



Step 3:

Fix the first bracket using a drill or screwdriver.



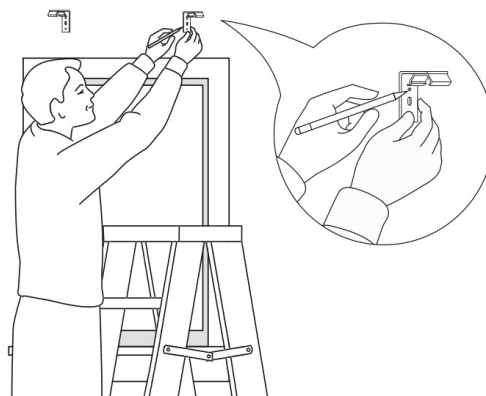
Step 4:

Measure the wall for the second bracket. Make sure the position is exactly aligned to the first bracket.



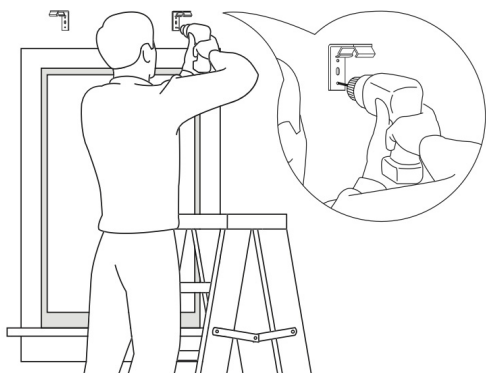
Step 5:

Mark the second bracket.



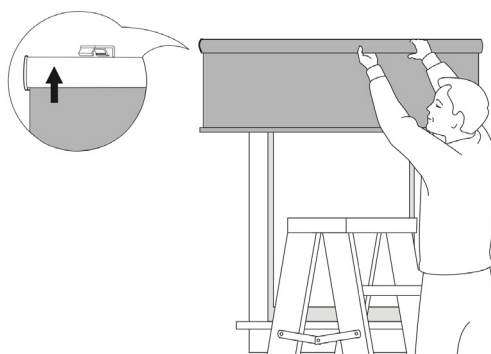
Step 6:

Fix the second bracket using a drill or screwdriver.



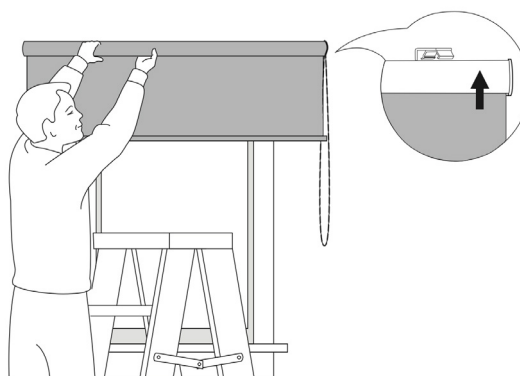
Step 7:

Fix the roller shade on one side.



Step 8:

Fix the roller shade on other side.



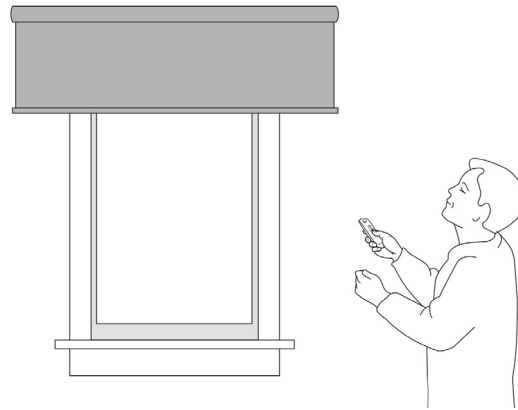
Step 9:

Test if the roller shades is installed properly. Do not exert too much pressure.



Step 10:

Check if the roller shades is working correctly using the Somfy remote control.



Tips

- Alignment of brackets should be exact to avoid damaging the product.

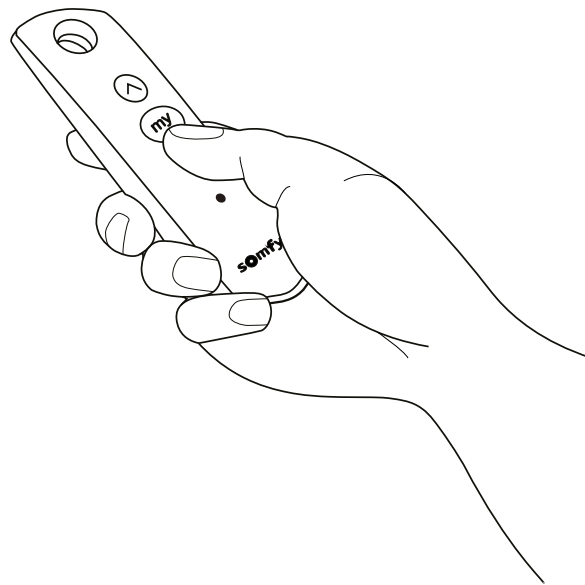
Operation/Control

Raising or Lowering:

Step 1: Press the 'down' button on your Somfy remote control to close the blind.

Step 2: Press the 'up' button on your Somfy remote control to open the blind.

You can press the "My" buttons on your Somfy remote



Product Maintenance and Cleaning

- Regularly dust with a feather duster or soft cloth.
- For thorough dust removal, use a hand-held vacuum with low suction.
- CAUTION: Avoid harsh detergents.

Side Channel Option

The **RB 16-44 Roller CS Louvo Cassette Motorized Rail System®** doesn't have the side channel feature. Use the QR code or the link below to see our product options that offer the side channel feature.



[RB 16-14 Roller Jumbo Cassette Motorized System](#)



[RB 16-16 Roller Louvo Cassette Motorized System](#)



[RB 16-81 Roller Louvo Elite Cassette Motorized System](#)


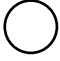
Valance

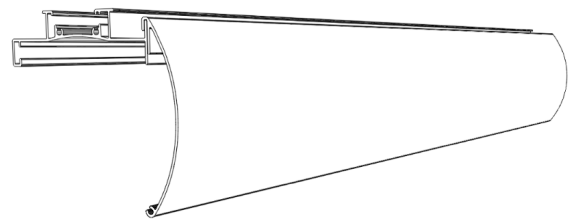
A valance improves roller blinds by concealing the top pipe and hardware. It shields the mechanism from dust and damage, reducing maintenance and extending system life.

Louvo Cassette

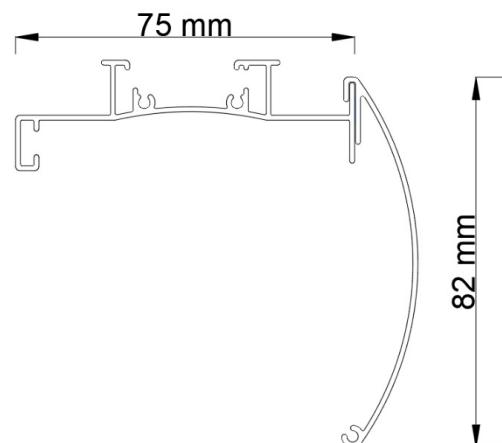
Material : Aluminum

Aluminum Grade: 6063 - T6

Color	
Cream 	White (Standard) 



Perspective



Profile

Double Bracket

The **RB 16-44 Roller Blind CS Louvo Cassette Motorized Rail System®** doesn't have the double bracket feature. Use the QR code or the link below to see our product options that offer the double bracket feature.



[RB 16-11 Roller Blind Manual System 40](#)



[RB 16-12 Roller Blind Manual System 45](#)

Motorization

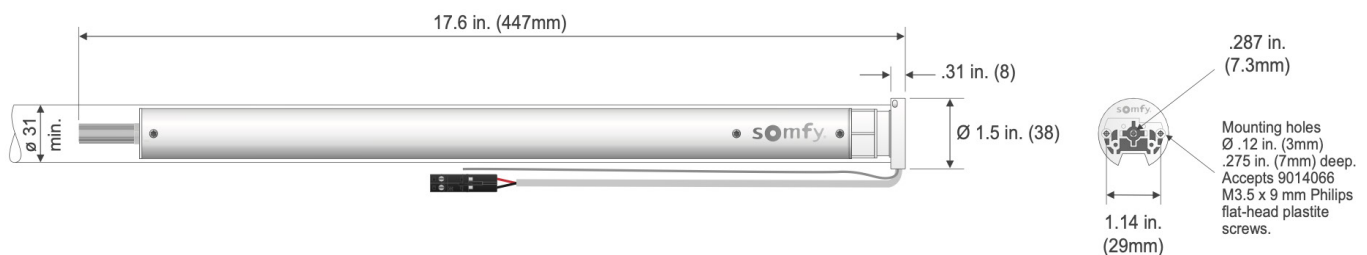
The **RB 16-44 Roller Blind CS Louvo Cassette Motorized Rail System**® is powered by Somfy Sonesse® 30 RTS.

The Somfy Sonesse® 30 RTS is a motor designed for interior window coverings, known for its quiet operation and ease of use. The system supports Radio Technology Somfy (RTS), an exclusive remote control protocol used to operate and control wirelessly.

Technical Features

Voltage Supply	24V DC
Index Protection Rating	IP 30
Limit Switch Type	Electronic (RTS)
Limit Switch Capacity	150 Turns (limited to 6 minutes of rotation without stop)
Temperature Working Range	32°F to 140°F (0°C to 60°C)
Insulation Class	Class III
Antenna	7.5 in. (19 cm) wire length, must not be cut or lengthened. For greatest RF range, antenna must be exposed.

Dimensions



Specifications

Rated Current	.625 A
Standby Power	.2 W
Torque	2 Nm
Default Speed	25 rpm

For more information, you can visit: <https://www.somfy.com/en-en/>

General Safety Instructions

Ensure adults adhere to these safety guidelines provided by Sedar:

- If the blind is not raised or lowered evenly, it can become damaged.
- If the fabric is not level as it rolls, it may wrap around the tube incorrectly, leading to wrinkles and could tear over time.
- Never immerse the motor in liquid.
- Never drill holes in the motor.
- Do not drop the motor and avoid impacts.
- Follow safety standards during product installation and maintenance.

Other Relevant Documents

To further explore the **RB 16-44 Roller Blind CS Louvo Cassette Motorized Rail System®**, please click the links below or scan the QR codes. These will direct you to our System Brochure and Technical Summary, offering in-depth information and visual guides to assist in your project planning.



[16-44 Documents](#)



[Roller Blinds Fabric Specifications](#)

Projects and Professionals Contact Information

For inquiries about the **RB 16-44 Roller Blind CS Louvo Cassette Motorized Rail System®** or to utilize our Projects Department's bespoke services, please contact us. Our team is ready to assist with product details, installation, and custom solutions, ensuring your design needs are expertly met. Contact us using the QR code below for guidance in transforming your spaces with innovation and style.



Email: projects@sedarglobal.com

Projects Hotline: [+971502313453](tel:+971502313453)